



## KEY FEATURES

- Wattage options: 27W / 38W
- Optical control: 100° Diffused
- Housing colour options: White / Black
- Mounting: Recessed
- Light colour options (CCT): WW (3000K) / NW (4000K) / CW (5000K)
- LED chip efficacy: 115 - 132 Lumens per watt
- Fitting efficacy : 78 - 88 Lumens per watt
- Driver type options : Tridonic / Vossloh-Schwabe / TCI
- Dimming options : Non-dim / DALI
- Warranty: 5 Years

## APPLICATIONS

- Shop and Retail
- Health and Care
- Art & Culture
- Architectural
- Office
- Education
- Hotel & Wellness

## CERTIFICATIONS & FIXTURE RATINGS



**ISO9001**  
CERTIFIED

**IP20**

**5Year**  
WARRANTY

**General Disclaimer**  
Content is subject to change. Fluctuations in mains voltage and in LED forward voltage mean that lumen output and power draw may be subject to deviation (+/-5%) of rated value.

**Liability Disclaimer**  
The contents of this document are for information purposes only and may be subject to change without prior notice. LED Lighting SA can not be held liable for any direct or indirect damages as a result of this information.

Copyright © LED Lighting 2019. All Rights Reserved.



### CAPE TOWN

| 021 510 0028

| salesCPT@ledlighting.co.za



### DURBAN

| 031 566 5786

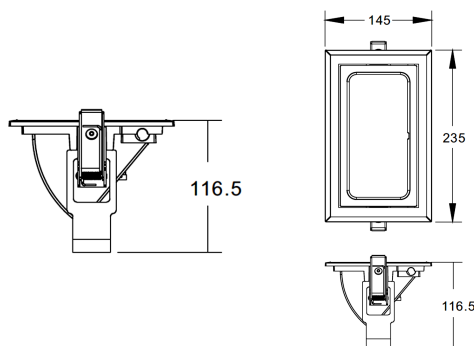
| salesDUR@ledlighting.co.za



### JOHANNESBURG

| 011 450 0494

| salesJNB@ledlighting.co.za



DIMENSIONS

Name	Draw Power (W)	Cut Out Diameter (mm)	Diameter (mm)	Height (mm)
DL MHR RT	27	220 x 130	235 x 145	116.5
DL MHR RT	38	220 x 130	235 x 145	116.5

GENERAL SPECIFICATIONS

DL MHR RT

OPTICAL

DESCRIPTION	SPECIFICATION
LED chip type	Cree CXB
LED operating current (mA)	700mA
LED working life (L70)	>50 000hrs
Driver type	Tridonic / Vossloh-Schwabe / TCI
Driver input voltage AC(V)	110V - 230V
Driver power factor (pf)	>0.95A
Driver nominal-life	50 000hrs
Driver dimming	Non-dim / Dali / Triac / 0-10V
Driver Total Harmonic Distortion (THD)	<20%
Driver surge protection (KV)	2KV
Driver compliance	EN 61347-2-13:2006
IP rating	IP20
SABS company certification	10089/15954
Operating temperature range	-20° C to + 40° C
Housing material	Die - Cast Aluminium
Product warranty	5 Years

**General Disclaimer**  
Content is subject to change. Fluctuations in mains voltage and in LED forward voltage mean that lumen output and power draw may be subject to deviation (+/-5%) of rated value.

**Liability Disclaimer**  
The contents of this document are for information purposes only and may be subject to change without prior notice. LED Lighting SA can not be held liable for any direct or indirect damages as a result of this information.

Copyright © LED Lighting 2019. All Rights Reserved.



**CAPE TOWN**

| 021 510 0028  
| salesCPT@ledlighting.co.za



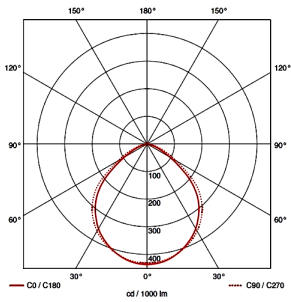
**DURBAN**

| 031 566 5786  
| salesDUR@ledlighting.co.za



**JOHANNESBURG**

| 011 450 0494  
| salesJNB@ledlighting.co.za



DL MHR M 20°

GENERAL SPECIFICATIONS

Name	Draw Power (W)	LED Colour (cct)	Colour Rendering Index (CRI)	Luminous Flux (lm)	Efficiency (lm/W)	Cover / Diffuser
DL MHR RT	27	WW (3000K)	80	2106	78	100°
DL MHR RT	27	NW (4000K)	80	2376	88	100°
DL MHR RT	27	CW (5000K)	80	2322	86	100°
DL MHR RT	38	WW (3000K)	80	2964	78	100°
DL MHR RT	38	NW (4000K)	80	3344	88	100°
DL MHR RT	38	CW (5000K)	80	3268	86	100°

ACCESSORIES & CONTROL

DL MHR RT



Occupancy sensor (group control)



Tridonic ConneDim

**General Disclaimer**

Content is subject to change. Fluctuations in mains voltage and in LED forward voltage mean that lumen output and power draw may be subject to deviation (+/-5%) of rated value.

**Liability Disclaimer**

The contents of this document are for information purposes only and may be subject to change without prior notice. LED Lighting SA can not be held liable for any direct or indirect damages as a result of this information.

Copyright © LED Lighting 2019. All Rights Reserved.



**CAPE TOWN**

| 021 510 0028

| salesCPT@ledlighting.co.za



**DURBAN**

| 031 566 5786

| salesDUR@ledlighting.co.za



**JOHANNESBURG**

| 011 450 0494

| salesJNB@ledlighting.co.za