

### SMART Sensor 5DPI 19fe

Ambient light sensor and presence detector for lighting control



#### Product description

- \_ Optional ambient light sensor and motion detector for PCA EXCEL one4all devices from the xitec II generation
- \_ Can be remote controlled
- \_ Compact dimensions for luminaire installation
- \_ Simple cable connection to the ballast via SMART interface
- \_ Power supply via ballast
- \_ Lighting control and presence detection can be deactivated
- \_ Individual adjustment of the parameters with configuration software
- \_ Optimal with corridorFUNCTION profile
- \_ Optional connection with second ballast possible via accessory cable
- \_ Max. installation height 5 m
- \_ 5-year guarantee

#### Website

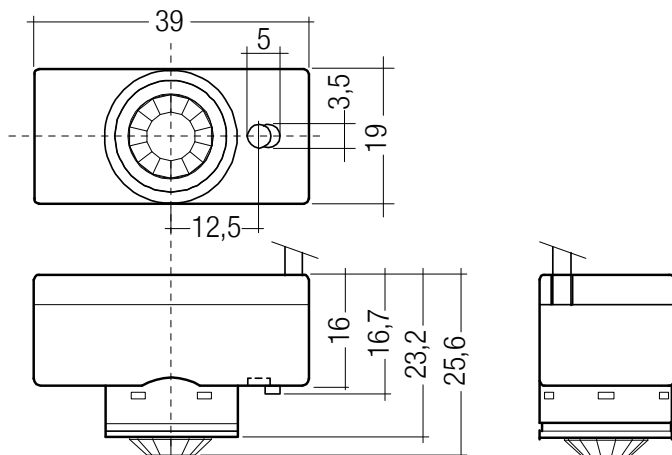
<http://www.tridonic.com/28000922>



**SMART Sensor 5DPI 19fe**

Ambient light sensor and presence detector for lighting control

The complete data sheet for this product is available in the Downloads section.

**Ordering data**

Type	Article number	Packaging, carton
SMART Sensor 5DPI 19fe	28000922	20 pc(s).

**Technical data**

Supply via	SMART interface
Current draw	1 mA from SMART interface
Operating temperature	0 ... +60 °C
Storage temperature $t_s$	-20 ... +65 °C
Type of protection	IP20
Max. casing temperature $t_c$	63 °C

**Approval marks****Standards**

EN 61547, EN 61347-1, EN 61347-2-11, EN 55015

**Specific technical data**

Type	Detection						
	Light detection angle asymmetric	Light measurement at the sensor head <sup>①</sup>	Illuminance (factory default) <sup>②</sup>	Motion detection angle symmetric	Max. cable length	Control output (devices)	corridorFUNCTION profile
SMART Sensor 5DPI 19fe	31 °	40 – 1,000 lx	500 lx	92 °	0.8 m	2	-

① The measured value at the sensor head corresponds to approx. 60 to 3,000 lux on the surface measured.

② The illuminance is set for a room defined by Tridonic. Depending on the actual room (reflectance) the measured illuminance may deviate from this value. The illuminance should therefore be checked in the installation and adjusted if necessary.