

ready2mains Gateway 400VA

ready2mains



Product description

- _ Interface for transmitting digital control and dimming commands to ready2mains-compatible LED Drivers via the mains wiring
- _ Simple integration of sensors and pushbuttons thanks to one4all interface: DALI, DSI, switchDIM, corridorFUNCTION
- _ Total connected load: 400 VA max. (maximum of 15 LED Drivers)
- _ Short-circuit and overload shutdown with automatic restart, overtemperature protection
- _ Double terminals for through wiring
- _ Rapid installation of cable clamp and terminal cover, no tool required
- _ 5-year guarantee

Interfaces

- _ one4all (DALI DT 254, DSI, switchDIM, corridorFUNCTION)

Website

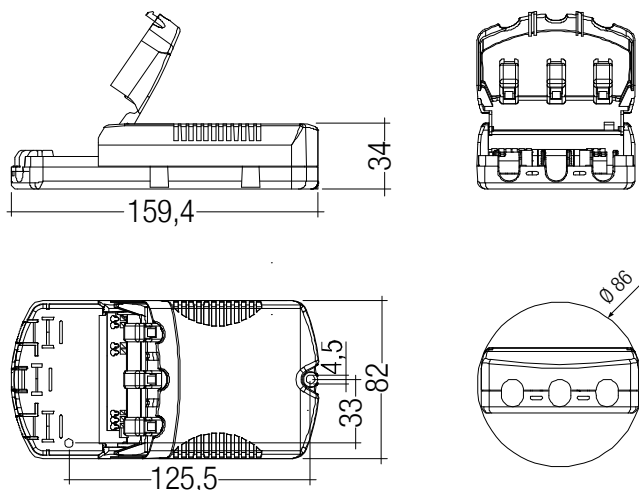
<http://www.tridonic.com/28001248>



ready2mains Gateway 400VA

ready2mains

The complete data sheet for this product is available in the Downloads section.

**Ordering data**

Type	Article number	Packaging, carton	Weight per pc.
ready2mains Gateway 400VA	28001248	10 pc(s).	0.22 kg

Technical data

Rated supply voltage	220 – 240 V
Input voltage AC	198 – 264 V
Max. input current (at 230 V, 50 Hz, full load)	1.74 A
Mains frequency	50 / 60 Hz
Connected load	0 – 400 VA
Power loss ^①	0.75 W (1.35 W at full load)
Input, DALI/DSI control input and switchDIM	1
current consumption of DALI	2 mA
Number of DALI addresses	1
Control range, DSI ^②	0 – 100 %
Control range, DALI ^②	0 – 100 %
Terminals	0.5 – 1.5 mm ²
Max. cable length at 1.5 mm ² ^③	250 m
Ambient temperature ta	0 ... +60 °C
Protection class	IP20
Housing	Polycarbonat white RAL colour 9016

Approval marks**Standards**

EN 61347-1, EN 61347-2-11, EN 55015, EN 61000-3-2, EN 61000-3-3, EN 61547, EN 62386-101, EN 62386-102

① Connected luminaires are switched off from mains (no stand-by losses of the connected LED Drivers).

② Dimming range depends on the connected LED Drivers.

③ The regional and national rules and guidelines must be observed.