

basicDIM ILD 16DPI 69f

Compact control module with ambient light sensor and motion sensor



Product description

- _ Compact dimensions for luminaire installation
- _ For up to 10 DSI or DALI devices (max. 5 per output channel)
- _ 2 DALI/DSI output channels with adjustable negative off set from channel 2 to channel 1
- _ Ambient light sensor with motion detector
- _ Max. installation height 16 m
- _ IP65 sensor head
- _ Momentary-action switch input for on/off switching and dimming
- _ Can be remote controlled
- _ Individual adjustment of the parameters with DSI-SMART programmer
- _ 5-year guarantee

Website

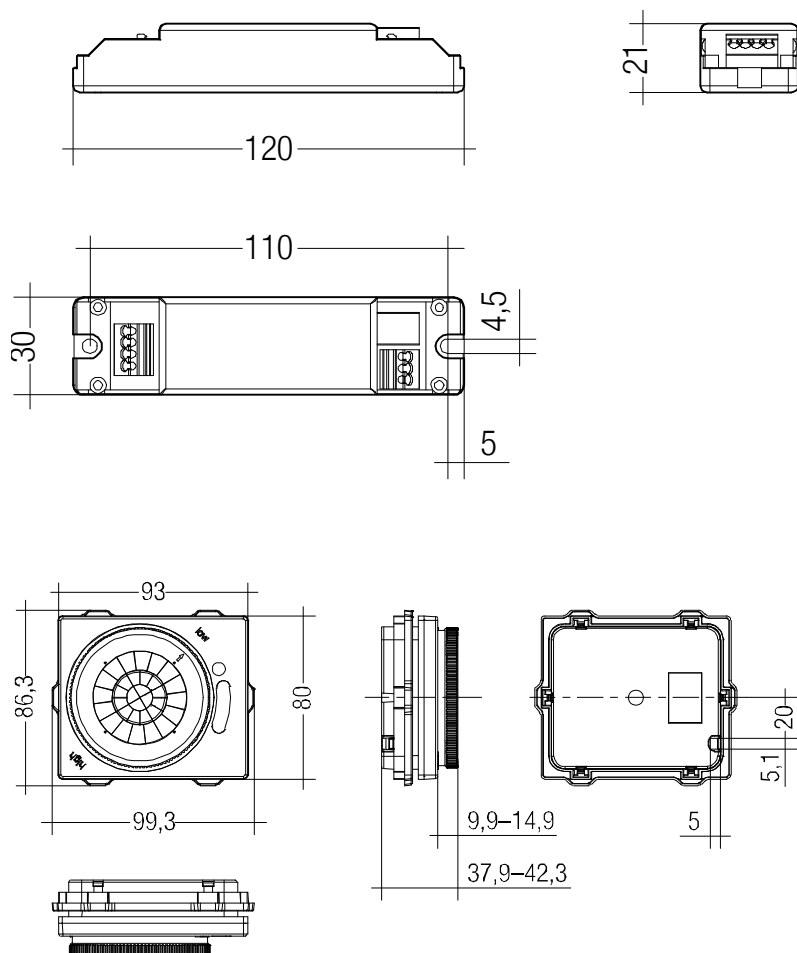
<http://www.tridonic.com/28001277>



basicDIM ILD 16DPI 69f

Compact control module with ambient light sensor and motion sensor

The complete data sheet for this product is available in the Downloads section.

**Ordering data**

Type	Article number	Mounting	Packaging, carton
basicDIM ILD 16DPI 69f	28001277	Luminaire installation	10 pc(s).

Technical data

Rated supply voltage	220 – 240 V
Mains frequency	50 / 60 Hz
Power consumption	2 W
Output, stand-by	0.5 W
Momentary-action switch input for dimming	single
Digital control line DSI/DALI	2
Control output (devices)	10
Max. output cable length at 1.5 mm ²	100 m
Operating temperature	0 ... +60 °C
Storage temperature ts	-25 ... +70 °C
Type of protection controller	IP20
Type of protection sensor	IP65 ready
Max. casing temperature tc	75 °C

Approval marks

Standards

EN 55015, EN 61000-3-2, EN 61347-1, EN 61347-2-11, EN 61547, EN 62386-101

Specific technical data

Type	Detection					Max. cable length sensor
	Light detection angle	Light measurement at the sensor head ^①	Illuminance (factory default) ^②	Motion detection angle high/low		
basicDIM ILD 16DPI 69f	13 °	1 – 500 lx	150 lx	72° / 60°		0.8 m

① The measured value at the sensor head corresponds to approx. 15 to 2,000 lux on the surface measured.

② The illuminance is set for a room defined by Tridonic. Depending on the actual room (reflectance) the measured illuminance may deviate from this value. The illuminance should therefore be checked in the installation and adjusted if necessary.