

## PRODUCT SPECIFICATIONS SHEET

CATEGORY | Highbay and Lowbay Luminaires



### KEY FEATURES

- | Length options: 1200mm / 1500mm
- | Wattage options: 2x64W / 2x65W / 2x81W
- | Optical control options: Narrow Elliptical (92°+ 33°)
- | Housing colour options: White / Black / Silver
- | Mounting options: Surface / suspended / P2000 cabstrut
- | Light colour options: WW (2700K) / NW (4000K) / CW (5700K)
- | LED type: Osram Duris S5
- | LED chip efficacy : 180 Lumens per watt
- | Fitting efficacy: 110 Lumens per watt
- | Driver type: Tridonic
- | Dimming options : Non-Dim / DALI
- | Warranty: 5 Years

### APPLICATIONS

- | Shop and Retail
- | Industrial & Outdoor

### CERTIFICATIONS & FIXTURE RATINGS



**ISO9001**  
CERTIFIED

**IP20**

**5Year**  
WARRANTY

**General Disclaimer**  
Content is subject to change. Fluctuations in mains voltage and in LED forward voltage mean that lumen output and power draw may be subject to deviation (+/-5%) of rated value.

**Liability Disclaimer**  
The contents of this document are for information purposes only and may be subject to change without prior notice. LED Lighting SA can not be held liable for any direct or indirect damages as a result of this information.

Copyright © LED Lighting 2019. All Rights Reserved.



**CAPE TOWN**

| 021 510 0028

| salesCPT@ledlighting.co.za



**DURBAN**

| 031 566 5786

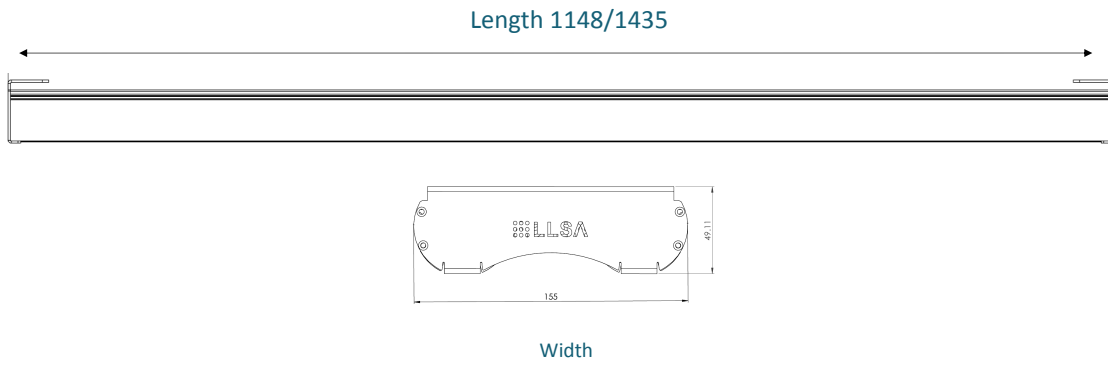
| salesDUR@ledlighting.co.za



**JOHANNESBURG**

| 011 450 0494

| salesJNB@ledlighting.co.za



DIMENSIONS

Name	Draw Power (W)	Length (mm)	Width (mm)	Height (mm)
GLL L-Bay 2x65W 1200	130	1148	260	48
GLL L-Bay 2x64W 1500	128	1435	260	48
GLL L-Bay 2x81W 1500	162	1435	260	48

GENERAL SPECIFICATIONS

GLL L-BAY NARROW ELLIPTICAL (92°+33°)

OPTICAL

DESCRIPTION	SPECIFICATION
LED chip type	Osram
LED operating current (mA)	350mA
LED working life (L70)	>50 000hrs
Driver type options	Tridonic / TCI
Driver input voltage AC(V)	110V - 220V
Driver power factor (pf)	>0.95A
Driver nominal-life	100 000hrs
Driver dimming option	DALI / Non - Dim
Driver emergency power option	2.5hrs @ 10% ( non-integrated gear )
Driver Total Harmonic Distortion (THD)	<20%
Driver surge protection (KV)	2kV
Driver certification	EN 55015 / EN 61000 / EN 61347 / EN 62384 / EN 61547
IP rating	IP20
SABS company certification	10089/15954
SABS test compliance	SABS 60598-2
Operating temperature range	0°C to + 40 °C
Housing material	Acrylic / Aluminium
Product weight including packaging	+/- 5.3kg ( 2x1500mm ) 4.3kg (2x1200mm)
Product weight excluding packaging	+/- 4.5kg (2x1500mm ) 3.6kg (2x1200mm )
Product warranty	5 Years

**General Disclaimer**  
Content is subject to change. Fluctuations in mains voltage and in LED forward voltage mean that lumen output and power draw may be subject to deviation (+/-5%) of rated value.

**Liability Disclaimer**  
The contents of this document are for information purposes only and may be subject to change without prior notice. LED Lighting SA can not be held liable for any direct or indirect damages as a result of this information.  
Copyright © LED Lighting 2019. All Rights Reserved.



**CAPE TOWN**

| 021 510 0028  
| salesCPT@ledlighting.co.za



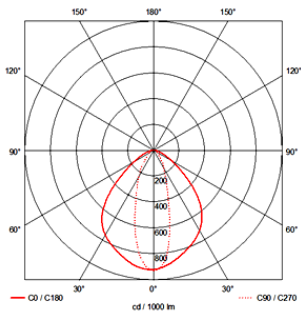
**DURBAN**

| 031 566 5786  
| salesDUR@ledlighting.co.za



**JOHANNESBURG**

| 011 450 0494  
| salesJNB@ledlighting.co.za



Narrow Elliptical (92° + 33°)

GENERAL SPECIFICATIONS	Name	Draw Power (W)	LED Colour (cct)	Colour Rendering Index (CRI)	Luminous Flux (lm)	Efficiency (lm/W)
	GLL L-Bay 2x65W 1200	130	2700k, 4000k, 5700k	85, 85, 80	13000 - 14300	100 - 110
	GLL L-Bay 2x64W 1500	128	2700k, 4000k, 5700k	85, 85, 80	12800 - 14080	100 - 110
	GLL L-Bay 2x81W 1500	162	2700k, 4000k, 5700k	85, 85, 80	16200 - 17820	100 - 110

ACCESSORIES & CONTROL

GLL L-BAY NARROW ELLIPTICAL (92°+33°)



Occupancy sensor (group control)



Tridonic ConneDim

**General Disclaimer**

Content is subject to change. Fluctuations in mains voltage and in LED forward voltage mean that lumen output and power draw may be subject to deviation (+/-5%) of rated value.

**Liability Disclaimer**

The contents of this document are for information purposes only and may be subject to change without prior notice. LED Lighting SA can not be held liable for any direct or indirect damages as a result of this information.

Copyright © LED Lighting 2019. All Rights Reserved.



**CAPE TOWN**

| 021 510 0028

| salesCPT@ledlighting.co.za



**DURBAN**

| 031 566 5786

| salesDUR@ledlighting.co.za



**JOHANNESBURG**

| 011 450 0494

| salesJNB@ledlighting.co.za