

## KEY FEATURES

- | Length options: 330mm / 648mm / 966mm
- | Wattage options: 15W / 30W / 40W
- | Optical control options: 15° / 24° / 36°
- | Housing colour options: White / Black
- | Mounting: Power Track
- | Light colour options: WW (2700K) / WW (3000K) / NW (4000K)
- | LED type: Philips 3030 SMD
- | LED chip efficacy : 97 - 110 Lumens per watt
- | Fitting efficacy: 77 - 93 Lumens per watt
- | Driver type: HEP
- | Dimming options : Non-dim / 0-10V / Dali
- | Warranty: 5 Years

## APPLICATIONS

- | Shop and Retail
- | Art & Culture

## CERTIFICATIONS & FIXTURE RATINGS



**ISO9001**  
CERTIFIED

**IP20**

**5Year**  
WARRANTY

**General Disclaimer**  
Content is subject to change. Fluctuations in mains voltage and in LED forward voltage mean that lumen output and power draw may be subject to deviation (+/-5%) of rated value.

**Liability Disclaimer**  
The contents of this document are for information purposes only and may be subject to change without prior notice. LED Lighting SA can not be held liable for any direct or indirect damages as a result of this information.  
Copyright © LED Lighting 2019. All Rights Reserved.



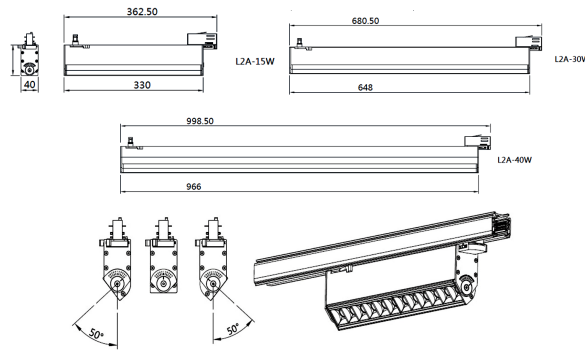
**CAPE TOWN**  
| 021 510 0028  
| sales@ledlighting.co.za



**DURBAN**  
| 031 566 5786  
| sales@ledlighting.co.za



**JOHANNESBURG**  
| 011 450 0494  
| sales@ledlighting.co.za



DIMENSIONS	NAME	DRAW POWER (W)	LENGTH (MM)	WIDTH (MM)	HEIGHT (MM)
	TL Linear UGR 04 - Pro	15	330	40	72
	TL Linear UGR 04 - Pro	30	648	40	72
	TL Linear UGR 04 - Pro	40	966	40	72

GENERAL SPECIFICATIONS

TL LINEAR UGR 04 PRO

GENERAL SPECIFICATIONS	DESCRIPTION	SPECIFICATION
	LED chip type	Philips 3030 SMD
	LED operating current (mA)	350 - 1000mA
	LED working life (L80 B10)	50 000hrs
	Driver manufacturer name	HEP
	Driver input voltage AC(V)	220V - 240V
	Driver power factor (pf)	>0.92λ
	Driver manufacture's nominal-life	>50 000hrs
	Driver Total Harmonic Distortion (THD)	<20%
	Driver surge protection (kV)	2kV
	Driver certification report	EN
	IP rating	IP20
	SABS company certification	10089/15954
	SABS product certification	N/A
	Operating temperature range	- 20°C to + 40°C
	Housing material	Cast Aluminium
Product weight including packaging	+/- 1.1kg	
Product weight excluding packaging	+/- 0.95kg	
Product warranty	5 Years	

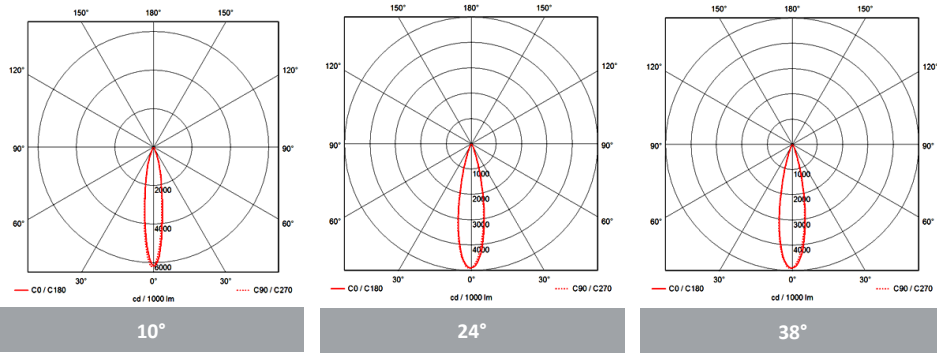
**General Disclaimer**  
Content is subject to change. Fluctuations in mains voltage and in LED forward voltage mean that lumen output and power draw may be subject to deviation (+5%) of rated value.

**Liability Disclaimer**  
The contents of this document are for information purposes only and may be subject to change without prior notice. LED Lighting SA can not be held liable for any direct or indirect damages as a result of this information.  
Copyright © LED Lighting 2019. All Rights Reserved.

**CAPE TOWN**  
| 021 510 0028  
| sales@ledlighting.co.za

**DURBAN**  
| 031 566 5786  
| sales@ledlighting.co.za

**JOHANNESBURG**  
| 011 450 0494  
| sales@ledlighting.co.za



OPTICAL	NAME	DRAW POWER (W)	LED COLOUR (CCT)	COLOUR RENDERING INDEX (CRI)	LUMINOUS FLUX (LM)	EFFICIENCY (LM/W)	BEAM ANGLE
	TL Linear UGR 04 - Pro	15	WW (2700K)	80	1200	80	15° / 24° / 36°
	TL Linear UGR 04 - Pro	15	WW (3000K)	80	1300	87	15° / 24° / 36°
	TL Linear UGR 04 - Pro	15	NW (4000K)	80	1400	93	15° / 24° / 36°
	TL Linear UGR 04 - Pro	30	WW (2700K)	80	2300	77	15° / 24° / 36°
	TL Linear UGR 04 - Pro	30	WW (3000K)	80	2400	80	15° / 24° / 36°
	TL Linear UGR 04 - Pro	30	NW (4000K)	80	2450	82	15° / 24° / 36°
	TL Linear UGR 04 - Pro	40	WW (2700K)	80	3100	78	15° / 24° / 36°
	TL Linear UGR 04 - Pro	40	WW (3000K)	80	3150	79	15° / 24° / 36°
	TL Linear UGR 04 - Pro	40	NW (4000K)	80	3200	80	15° / 24° / 36°

**General Disclaimer**  
Content is subject to change. Fluctuations in mains voltage and in LED forward voltage mean that lumen output and power draw may be subject to deviation (+/-5%) of rated value.

**Liability Disclaimer**  
The contents of this document are for information purposes only and may be subject to change without prior notice. LED Lighting SA can not be held liable for any direct or indirect damages as a result of this information.  
Copyright © LED Lighting 2019. All Rights Reserved.

**CAPE TOWN**  
| 021 510 0028  
| sales@ledlighting.co.za

**DURBAN**  
| 031 566 5786  
| sales@ledlighting.co.za

**JOHANNESBURG**  
| 011 450 0494  
| sales@ledlighting.co.za