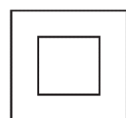


Luna

INSTALLATION MANUAL



Class II

- The protection against electric shock does not rely on basic insulation only and has supplementary insulation.
- This is achieved by means of reinforced or double insulation.
- No provision for earthing is provided.

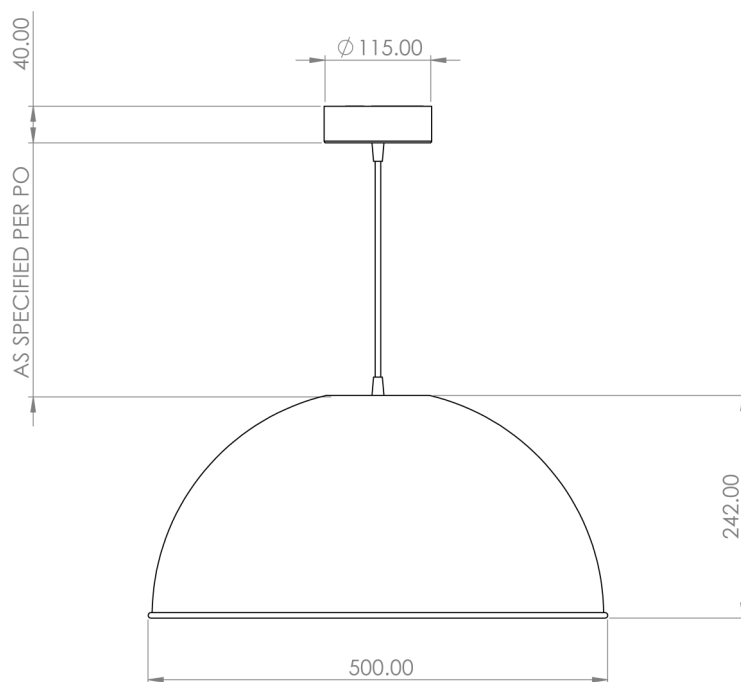
Installation Requirements

- Parts of the luminaire exposed to high voltage are protected through double insulation.
- Any exposed metal parts are exposed to SELV voltages.
- Connect to an individual branch circuit.
- LLSA ensures a 2 kV surge protection on our PSU, anything out of this range will void warranty provided.
- Improper installation might cause an electric shock accident.
- Use an authorized electrical professionals to do the installation, repair and maintenance of the light fixture.
- Cut off the power before and during installation, maintenance and repair of the light fixture.
- Do not install the light fixture on top of or near hot objects to avoid damage. (For example hot gas pipes, exhaust funnels or stoves)
- Do not install the light fixture in a damp area or where liquid leakage is potential.
- Do not cover the lamp with a heat insulating material.
- Make sure no fire regulations are violated.
- Do not look directly at the light fixture for a long period of time to avoid eye damage.
- The use of third party equipment is not recommended by the manufacturer for it may lead to warranty void.
- The light source contained in this luminaire shall only be replaced by the manufacturer or his service agent or a similar qualified person.

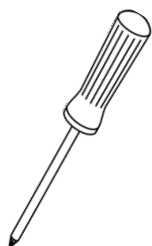
Cleaning and Maintenance of Enclosure

- Do not use solvent-based cleaning agents, this will cause cracks to form in the plastic diffuser covers.
- Clean with a damp cloth and silicone-based cleaning agent. (Such as Mr Min)

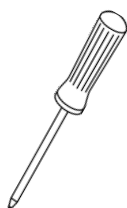
Product Information



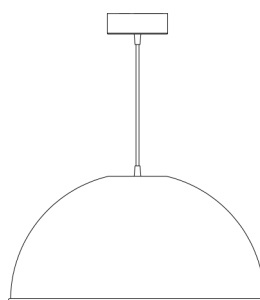
Installation Equipment & Parts List



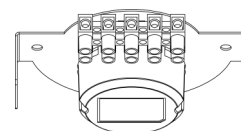
Philips Screw driver



Small Flat Screw driver



Fitting - Preassembled

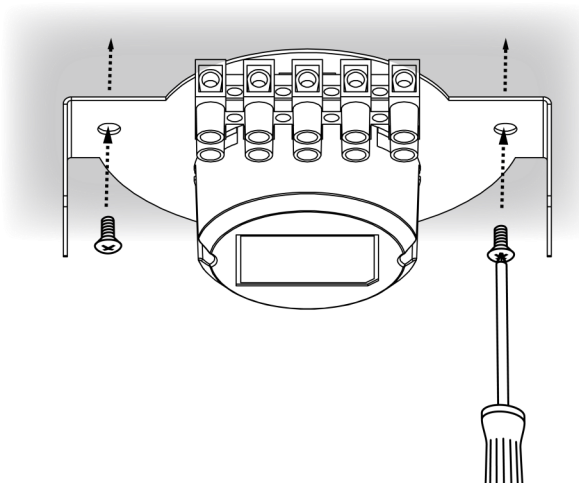


Ceiling Bracket

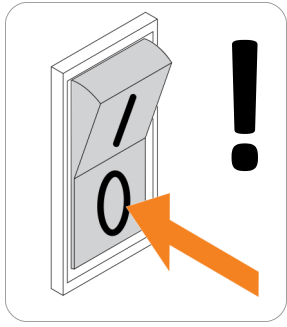
Instructions (Steps to follow)

- Mounting the ceiling bracket

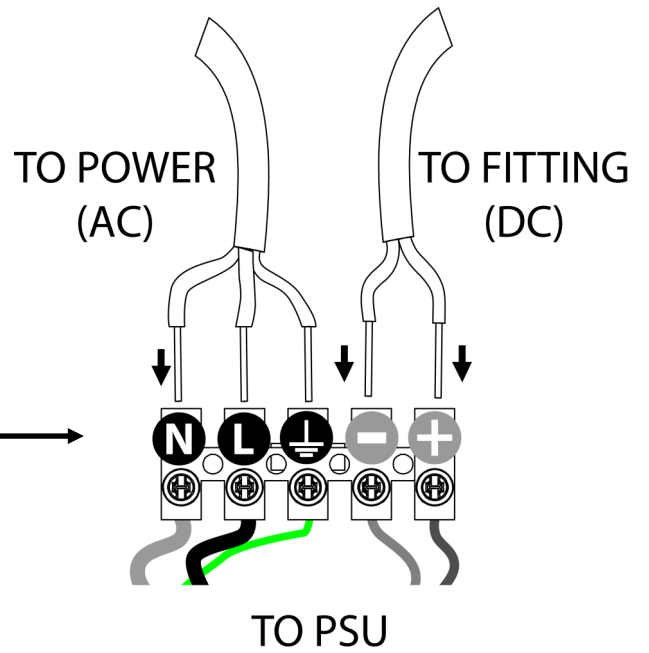
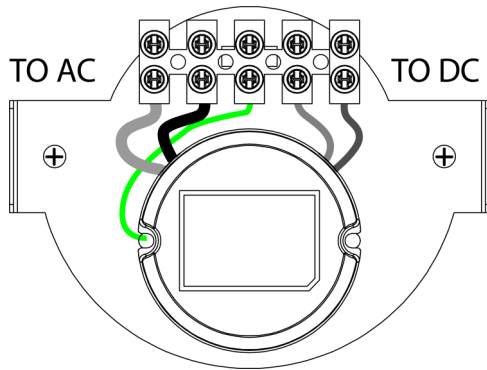
Use two mounting material appropriate screws to securely fasten the ceiling bracket. Ensure to not pinch any wires or cables.



- Wiring & connection to mains



Always ensure mains are switched off before starting with wire connections.



- Mounting the fitting

