



KEY FEATURES

Length options: 139mm - 2117mm (increments of 86mm)

Wattage: 7 LED: 5W, 15W, 20 watts per metre
14 LED: 5W, 15 watts per metre

Optical control: 120° diffuser

Housing colour : Anodised aluminium

Mounting options: Rotating bracket / static bracket / low profile metal bracket / magnetic

Light colour options: WW (3000K) / NW (3500K) / NW (4000K) / CW (5700K)

LED type: Osram Duris 2835

LED chip efficacy: 120Lumens per Watt

Fitting efficacy: ± 95 Lumens per watt

Driver type: Tridonic / Vossloh-schwabe

Dimming options: Non-dim / DALI

Warranty: 7 Years

APPLICATIONS

Architectural

Shop and Retail

Hotel and Wellness

Healthcare

Office

COMPANY CERTIFICATIONS & FIXTURE RATINGS

IP20 **7Year**
WARRANTY

General Disclaimer
Content is subject to change. Fluctuations in mains voltage and in LED forward voltage mean that lumen output and power draw may be subject to deviation (+/-5%) of rated value.

Liability Disclaimer
The contents of this document are for information purposes only and may be subject to change without prior notice. LED Lighting SA can not be held liable for any direct or indirect damages as a result of this information.

Copyright © LED Lighting 2019. All Rights Reserved.



CAPE TOWN

| 021 510 0028

| sales@ledlighting.co.za



DURBAN

| 031 566 5786

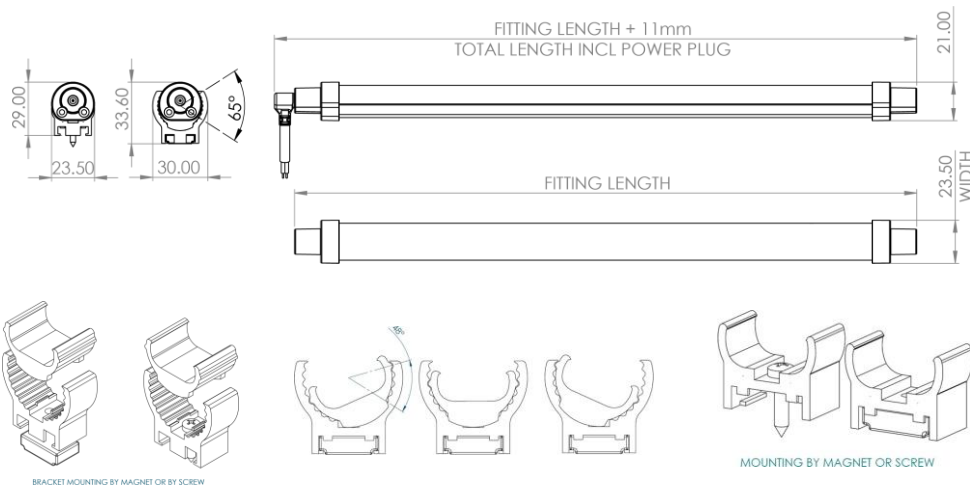
| sales@ledlighting.co.za



JOHANNESBURG

| 011 450 0494

| sales@ledlighting.co.za



DIMENSIONS	NAME	VOLTS (V)	DRAW POWER (W/m)	LENGTH (mm)	WIDTH (mm)	HEIGHT (mm) (Static Bracket)	HEIGHT (mm) (Rotating Bracket)	Max Connected Length (m)
	Luminis V2 Undershef 7 LED 5W/m	24	5	139mm - 2117mm	24	26.5	30.2	6
	Luminis V2 Undershef 7 LED 15W/m	24	15	139mm - 2117mm	24	26.5	30.2	4
	Luminis V2 Undershef 7 LED 20W/m	24	20	139mm - 2117mm	24	26.5	30.2	4
	Luminis V2 Undershef 14 LED 5W/m	24	5	139mm - 2117mm	24	26.5	30.2	6
	Luminis V2 Undershef 14 LED 15W/m	24	15	139mm - 2117mm	24	26.5	30.2	4

GENERAL SPECIFICATIONS

LUMINIS V2 UNDERSHELF

GENERAL SPECIFICATIONS	DESCRIPTION	SPECIFICATION
	LED chip type	Osram Duris 2835
	LED operating voltage (V)	24V
	LED working life (L70)	100 000 hrs (ta= 40°C)
	Driver manufacturer name	Tridonic / VS
	Driver input voltage AC(V)	110V - 220V
	Driver power factor (pf)	>0.95λ
	Driver manufacture's nominal-life	Driver specific
	Driver dimming type	Non-dim / DALI
	Driver emergency power option	2.5hrs @ 10%
	Driver Total Harmonic Distortion (THD)	<20%
	Driver surge protection (kV)	2kV
	IP rating	IP20
	SABS company certification	10089/15954
	Operating temperature range	- 20° C to + 40° C
	Housing material	Anodised Aluminium and PMMA cover or lens
Product warranty	7 Years	

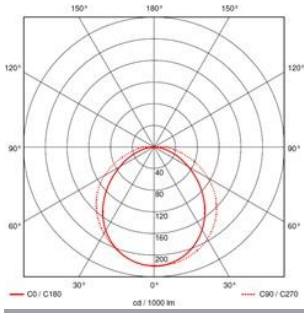
General Disclaimer
Content is subject to change. Fluctuations in mains voltage and in LED forward voltage mean that lumen output and power draw may be subject to deviation (+/-5%) of rated value.

Liability Disclaimer
The contents of this document are for information purposes only and may be subject to change without prior notice. LED Lighting SA can not be held liable for any direct or indirect damages as a result of this information.
Copyright © LED Lighting 2019. All Rights Reserved.

CAPE TOWN
| 021 510 0028
| sales@ledlighting.co.za

DURBAN
| 031 566 5786
| sales@ledlighting.co.za

JOHANNESBURG
| 011 450 0494
| sales@ledlighting.co.za



120° Diffused

	NAME	DRAW POWER (W/m)	LED COLOUR (CCT)	COLOUR RENDING INDEX (CRI)	LUMINOUS FLUX (lm/m)	EFFICIENCY (lm/W)
OPTICAL	Luminis V2 Undershef 7 LED 5W/m	5	3000K / 3500K / 4000k / 5700K	90+	511 - 568	102 - 113.6
	Luminis V2 Undershef 7 LED 15W/m	15	3000K / 3500K / 4000k / 5700K	90+	1252 - 1392	92 - 102
	Luminis V2 Undershef 7 LED 20W/m	20	3000K / 3500K / 4000k / 5700K	90+	1672 - 1858	93.6 - 104
	Luminis V2 Undershef 14 LED 5W/m	5	3000K / 3500K / 4000k / 5700K	90+	765 - 850	105 - 116.6
	Luminis V2 Undershef 14 LED 15W/m	15	3000K / 3500K / 4000k / 5700K	90+	1367 - 1518	91 - 101.2

General Disclaimer
Content is subject to change. Fluctuations in mains voltage and in LED forward voltage mean that lumen output and power draw may be subject to deviation (+/-5%) of rated value.

Liability Disclaimer
The contents of this document are for information purposes only and may be subject to change without prior notice. LED Lighting SA can not be held liable for any direct or indirect damages as a result of this information.

Copyright © LED Lighting 2019. All Rights Reserved.



CAPE TOWN
| 021 510 0028
| sales@ledlighting.co.za



DURBAN
| 031 566 5786
| sales@ledlighting.co.za



JOHANNESBURG
| 011 450 0494
| sales@ledlighting.co.za