

# IR Quattro

DALI-2 Application Controller  
EAN 4007841 002749



infrared sensor  
360°



max. 4 x 4 m  
presence



IP20



ideal 2,5 - 8 m



indoor sensor



iQ-mode

TEACH

Teach mode



energy saving



manufacturer's  
warranty  
[steinel-professional.de/garantie](https://www.steinel-professional.de/garantie)



CE

## Function description

Squaring the circle. Infrared presence detector Presence Control PRO IR Quattro DALI-2 Application Controller for indoors, ideal for small offices, store, service and utility rooms, washrooms and WCs, installation height up to 8 m, with digital DALI-2 Application Controller interface for controlling 2 lighting channels, 1760 switching zones for excellent detection quality, square presence detection zone covering 16 m<sup>2</sup>, mechanically scalable.

# IR Quattro

DALI-2 Application Controller  
EAN 4007841 002749



## Technical specifications

Type	Presence detector
Dimensions (L x W x H)	55 x 120 x 120 mm
Mains power supply	230 V / 50 – 60 Hz
Sensor Technology	passive infrared
Application, place	Indoors
Application, place, room	one-person office, conference room / meeting room, duty room, recreation room, changing room, function room / ancillary room, kitchenette, Indoors
Installation site	ceiling
Installation	Concealed wiring
Switching zones	1760 switching zones
Electronic scalability	No
Mechanical scalability	Yes
Mounting height	2,50 – 8,00 m
Optimum mounting height	2,8 m
Detection angle	360 °
Sneak-by guard	Yes
Capability of masking out individual segments	No
Reach, radial	5 x 5 m (25 m <sup>2</sup> )
Reach, tangential	7 x 7 m (49 m <sup>2</sup> )
Reach, presence	4 x 4 m (16 m <sup>2</sup> )
Twilight setting TEACH	Yes
Twilight setting	10 – 1000 lx

Time setting	30 s – 30 Min.
Control output, Dali	Broadcast 2x12 electronic ballasts
Constant-lighting control	Yes
Basic light level function	Yes
Basic light level function in per cent	10 – 60 %
Basic light level function time	1-60 min, all night
Basic light level function percentage, from	10 %
Basic light level function percentage, up to	60 %
Functions	Normal / test mode, Semi-/fully automatic, Pushbutton / switch mode, Manual ON / ON-OFF, Constant-lighting control ON-OFF
Settings via	Remote control, DIP switches, Potentiometers, Smart Remote
With remote control	No
Interconnection	Yes
Type of interconnection	Master/slave
IP-rating	IP20
Material	Plastic
Ambient temperature	-25 – 55 °C
Colour	white
Colour, RAL	9010
Manufacturer's Warranty	5 years
Version	DALI-2 Application Controller
PU1, EAN	4007841002749

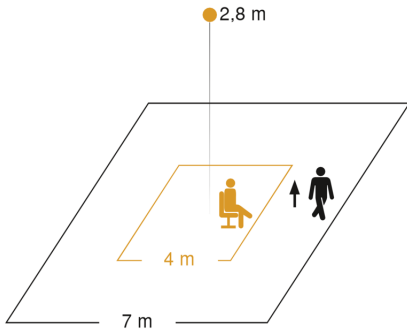
## Accessories

EAN 4007841 592806	User remote control RC5
EAN 4007841 003036	Control PRO guard cage
EAN 4007841 000363	Surface-mounting adapter Control PRO AP Box (IP54)
EAN 4007841 009151	Remote control Smart Remote
EAN 4007841 559410	Service remote control RC8

# IR Quattro

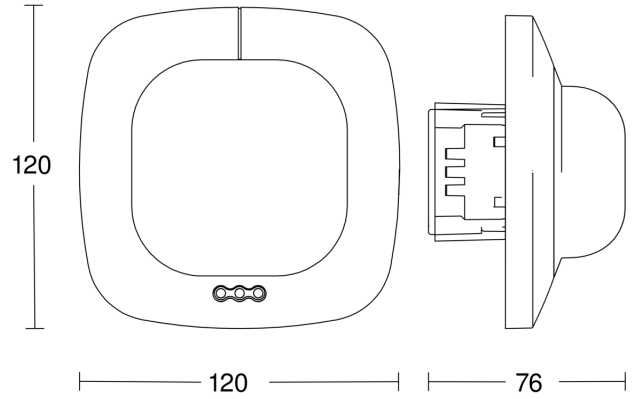
DALI-2 Application Controller  
EAN 4007841 002749

## Detection Zone

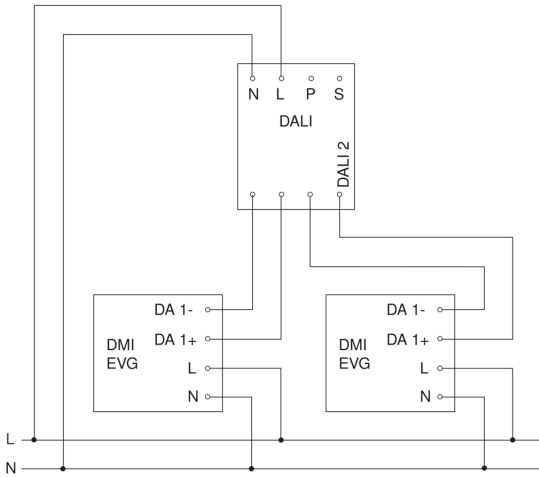


Mögliche Montagehöhe: 2,50 m – 8,00 m  
Orange: Präsenz  
Schwarz: tangential

## Dimension Drawing



## Master circuit diagram



## Master/slave interconnection circuit diagram

