

Motion detector - Professional Line

IS 345 MX Highbay

DALI-2 Application Controller - surface, sq.
EAN 4007841 010591



infrared sensor
360°



max. 30 x 4 m



IP54



2 - 1000 lux



5 sec - 15 min



manual override



ideal 4 - 14 m

TEACH

Teach mode



energy saving

5 JAHRE
HERSTELLER
GARANTIE

manufacturer's
warranty
[steinel-professional.de/garantie](https://www.steinel.de/garantie)

Function description

Surveillance on the highest level. Infrared motion detector IS 345 MX Highbay for indoors, ideal for large heights in depots, high-bay warehouses, machine shops, check-in areas and departure lounges, installation height 14 m, detection zone 30 x 4 m (radial), large terminal compartment for easy installation. Available as square surface-mounted and concealed version.

IS 345 MX Highbay

DALI-2 Application Controller - surface, sq.
EAN 4007841 010591

Technical specifications

Type	Motion detectors
Dimensions (L x W x H)	65 x 95 x 95 mm
Mains power supply	220 – 240 V / 50 – 60 Hz
Sensor Technology	passive infrared
Application, place	Indoors
Application, place, room	high-bay warehouse, Indoors
Installation site	ceiling
Installation	Surface wiring
Switching zones	280 switching zones
Electronic scalability	No
Mechanical scalability	No
Mounting height	4,00 – 14,00 m
Optimum mounting height	12 m
Detection angle	360 °
Angle of aperture	9 °
Sneak-by guard	Yes
Capability of masking out individual segments	Yes
Reach, radial	30 x 4 m (120 m ²)
Reach, tangential	30 x 4 m (120 m ²)
Twilight setting TEACH	Yes
Twilight setting	2 – 1000 lx

Time setting	5 s – 15 Min.
Control output, Dali	Broadcast 1x30 electronic ballasts
Constant-lighting control	Yes
Basic light level function	Yes
Basic light level function in per cent	10 – 50 %
Basic light level function time	1-30 min, all night
Basic light level function percentage, from	10 %
Basic light level function percentage, up to	50 %
Functions	Normal / test mode, Manual ON / ON-OFF, Constant-lighting control ON-OFF
Settings via	Remote control, Potentiometers, Smart Remote
With remote control	No
Interconnection	Yes
IP-rating	IP54
Material	Plastic
Ambient temperature	-20 – 50 °C
Colour	white
Colour, RAL	9003
Manufacturer's Warranty	5 years
Version	DALI-2 Application Controller - surface, sq.
PU1, EAN	4007841010591

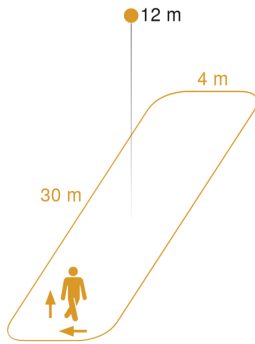
Accessories

EAN 4007841 009151	Remote control Smart Remote
EAN 4007841 559410	Service remote control RC8
EAN 4007841 592806	User remote control RC5

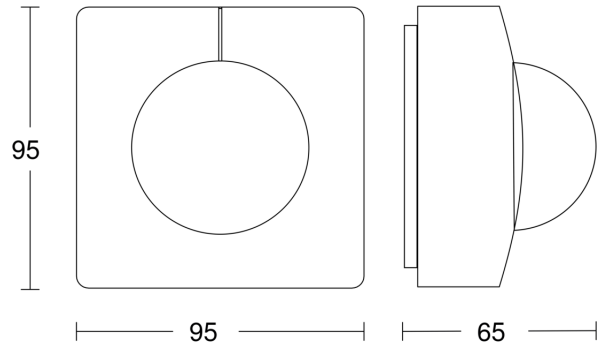
IS 345 MX Highbay

DALI-2 Application Controller - surface, sq.
EAN 4007841 010591

Detection Zone



Dimension Drawing



Mögliche Montagehöhe: 4,00 m – 14,00 m
Orange: radial und tangential

Master circuit diagram

