

Ceiling-mounted motion detectors

PD4N-1C



white, Part No. 92149



white, Part No. 92144



white, Part No. 92151

Product Information

- Remote-control capable ceiling motion detector with large detection range
- One channel for light switching
- Special optical system for detection of even the smallest movements
- Uninterrupted parallel circuit detection of several detectors
- Manual switching via push-button possible
- Additional functions can be set up using the optional remote control.
- Factory settings 10 min and 500 lux
- **Application examples:**
monitoring of large areas, warehouses, loading ramps, underground car parks, gyms, halls.

Technical Data

Voltage:	110 - 240 V AC 50 / 60 Hz
Dimensions:	SM= Ø 109 x 65 mm FC= Ø 106 x 90 mm FM= Ø 106 x 76 mm
Power consumption:	approx. 0.5 W
Detection area:	vertical 180°
Range:	max. Ø 24 m across max. Ø 8 m towards max. Ø 6.4 m seated
Monitored area	450 m ² / 2.5 m mounting height

(tangential movement):

Mounting height 2 m / 5 m / 2.5 m
min./max./recommended:

Degree / class of protection: SM= IP44 / Class II
 FC= IP23 / Class II
 FM= IP20 / Class II

Ambient temperature: -25 °C to +50 °C

Housing: Polycarbonate, UV-resistant

Channel 1 (lighting control)

Switching power: 2300 W, $\cos \varphi = 1$
 1150 VA, $\cos \varphi = 0.5$
 300 W LED
 max. inrush current I_p (20 ms) = 165 A
 max. inrush current I_p (200 μ s) = 800 A

Type of contact: 1x μ -contact, NO contact with tungsten pre-make contact

Follow-up time: 15 sec - 30 min, Pulse

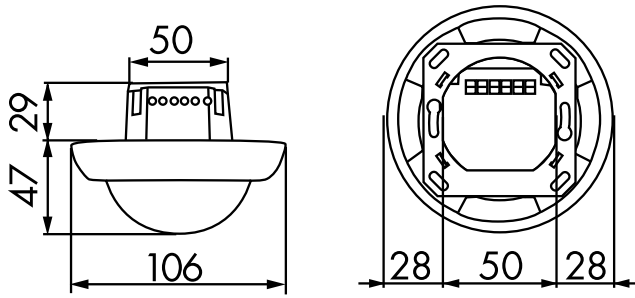
Switch-on threshold: 10 - 2000 Lux

Description

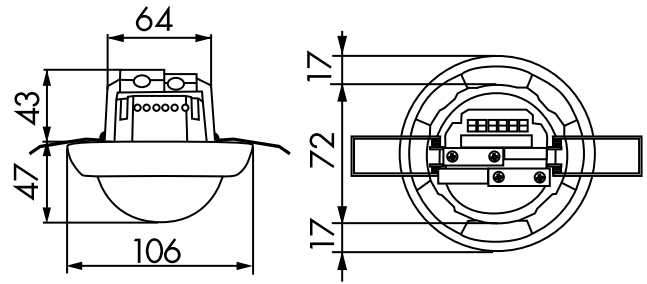
Description	Colour	Part number	EAN number
PD4N-1C-FC	white	92149	4007529921492
PD4N-1C-SM	white	92144	4007529921447
PD4N-1C-FM	white	92151	4007529921515

Accessory

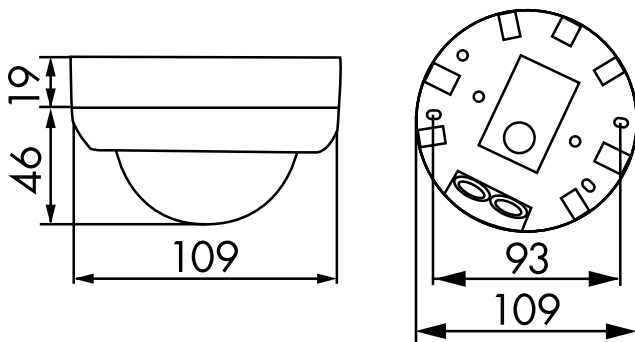
Description	Colour	Part number	EAN number
IR-Adapter for Smartphones	black	92726	4007529927265
IR-PD3N	-	92105	4007529921058
IR-PD3/4N-1C-E	-	93110	4007529931101
IR-PD-Mini	-	92159	4007529921591
Wire basket BSK (\varnothing 200 x 90 mm)	white	92199	4007529921997
RC-Arc extinction kit	white	10880	4007529108800
Mini-RC-Arc extinction kit	black	10882	4007529108824



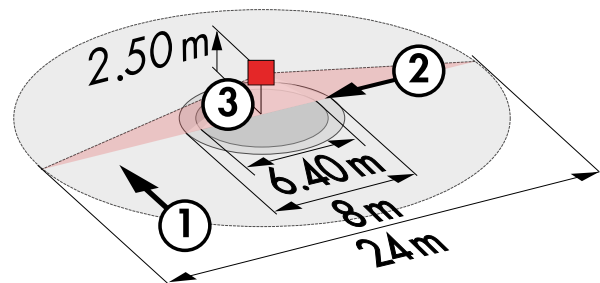
Dimensions 92151



Dimensions 92149

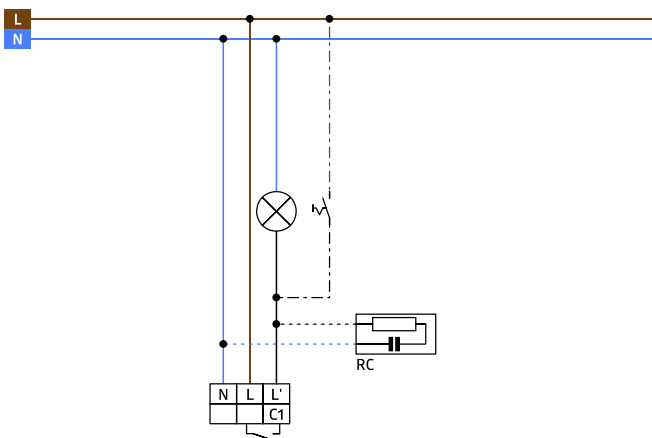


Dimensions 92144



Range diagram

- 1: Walking across
- 2: Walking towards
- 3: Seated activity



Wiring diagrams

