

## KEY FEATURES

Wattage: 150W

Beam options: 60° / 90°

Housing colour: Black

Mounting options: Suspension

Light colour options: NW (4000K)

Integrated motion sensor options

LED chip efficacy : 185Lumens per watt

Fitting efficacy : 140lm/w

Dimming options: 0 - 10V dimmable

IP rating : IP 65

Warranty: 5 Years

## APPLICATIONS

Shop and Retail

Industrial & Outdoor

Education

Refrigeration

Health and Care

Car Park

Service Station

## COMPANY CERTIFICATIONS & FIXTURE RATINGS



IP65

**5Year**  
WARRANTY

### General Disclaimer

Content is subject to change. Fluctuations in mains voltage and in LED forward voltage mean that lumen output and power draw may be subject to deviation (+5%) of rated value.

### Liability Disclaimer

The contents of this document are for information purposes only and may be subject to change without prior notice. LED Lighting SA can not be held liable for any direct or indirect damages as a result of this information.

Copyright © LED Lighting 2019. All Rights Reserved.



### CAPE TOWN

| 021 510 0028

| [sales@ledlighting.co.za](mailto:sales@ledlighting.co.za)



### DURBAN

| 031 566 5786

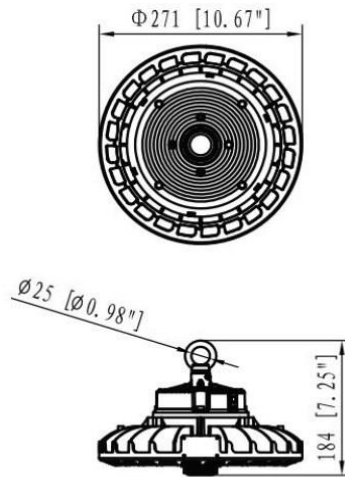
| [sales@ledlighting.co.za](mailto:sales@ledlighting.co.za)



### JOHANNESBURG

| 011 450 0494

| [sales@ledlighting.co.za](mailto:sales@ledlighting.co.za)



150W

DIMENSIONS	Name	Draw Power	Diameter	Height	Beam Angle
		HB30 150W 90D	150	271	184
	HB30 150W 60D	150	271	184	60D

GENERAL SPECIFICATIONS

GENERAL SPECIFICATIONS	DESCRIPTION	SPECIFICATION
		LED chip type
	LED operating current (mA)	120
	LED working life (L80 B10)	50000hrs ( Ta = 25deg C )
	Driver manufacturer name	Lifud
	Driver input voltage AC(V)	220 - 240VAC @ 50Hz
	Driver power factor (pf)	>0.95λ
	Driver manufacture's nominal-life	50000hrs ( Ta = 25deg C )
	Driver dimming type	0-10V
	Driver emergency power option	none
	Driver Total Harmonic Distortion (THD)	<20%
	Driver surge protection (kV)	2kV
	Driver compliance	EN61347-1,EN61347-2-13; EN60950; UL8750("HL"),CSA C22.2 No.250.13-12
	IP rating	IP65
	SABS company certification	10089/15954
	Operating temperature range	-30°C to + 50 °C
	Housing material	Aluminium & Polycarbonate
	Product weight including packaging	+/- 4.9kg
	Product weight excluding packaging	+/- 4.5kg
	Product warranty	5 Years

**General Disclaimer**  
Content is subject to change. Fluctuations in mains voltage and in LED forward voltage mean that lumen output and power draw may be subject to deviation (+5%) of rated value.

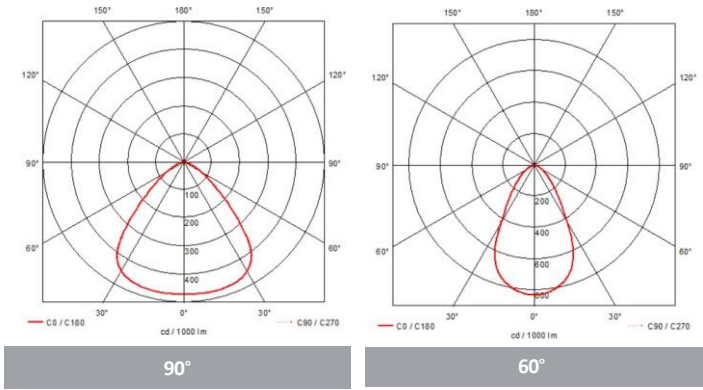
**Liability Disclaimer**  
The contents of this document are for information purposes only and may be subject to change without prior notice. LED Lighting SA can not be held liable for any direct or indirect damages as a result of this information.

Copyright © LED Lighting 2019. All Rights Reserved.

**CAPE TOWN**  
| 021 510 0028  
| sales@ledlighting.co.za

**DURBAN**  
| 031 566 5786  
| sales@ledlighting.co.za

**JOHANNESBURG**  
| 011 450 0494  
| sales@ledlighting.co.za



OPTICAL	Name	Draw Power (W)	LED Colour (cct)	Colour Rendering Index (CRI)	Luminous Flux (lm)	Efficiency (lm/W)	Lens
	HB30 150W 90D	150	4000	80	21000	140	90
HB30 150W 60D	150	4000	80	21000	140	60	



motion sensor



**General Disclaimer**  
Content is subject to change. Fluctuations in mains voltage and in LED forward voltage mean that lumen output and power draw may be subject to deviation (+/-5%) of rated value.

**Liability Disclaimer**  
The contents of this document are for information purposes only and may be subject to change without prior notice. LED Lighting SA can not be held liable for any direct or indirect damages as a result of this information.  
Copyright © LED Lighting 2019. All Rights Reserved.

**CAPE TOWN**  
| 021 510 0028  
| sales@ledlighting.co.za

**DURBAN**  
| 031 566 5786  
| sales@ledlighting.co.za

**JOHANNESBURG**  
| 011 450 0494  
| sales@ledlighting.co.za