



KEY FEATURES

- Wattage options: 16W / 20W / 35W
- Optical control options: 12° / 24° / 33° / 60°
- Housing colour options: White / Black
- Mounting: Recessed
- Light colour options (CCT): WW (3000K) / WW (3500K) / NW (4000K) / CW (5000K)
- LED type: Samsung
- LED chip efficacy: 120 - 140 Lumens per watt
- Fitting efficacy : 90 - 110 Lumens per watt
- Driver type options : Tridonic / Vossloh-Schwabe / TCI
- Dimming options : Non - dim / DALI
- Warranty: 5 Years

APPLICATIONS

- Office
- Shop and Retail
- Health and Care
- Education
- Architectural
- Art and Culture
- Hotel and Wellness
- Service Stations

COMPANY CERTIFICATIONS & FIXTURE RATINGS



IP20

5Year
WARRANTY

General Disclaimer
The contents of this document are for information purposes only and may be subject to change without prior notice. LED Lighting SA can not be held liable for any direct or indirect damages as a result of this information.

Liability Disclaimer
The contents of this document are for information purposes only and may be subject to change without prior notice. LED Lighting SA can not be held liable for any direct or indirect damages as a result of this information.

Copyright © LED Lighting 2019. All Rights Reserved.



CAPE TOWN

| 021 510 0028
| sales@ledlighting.co.za



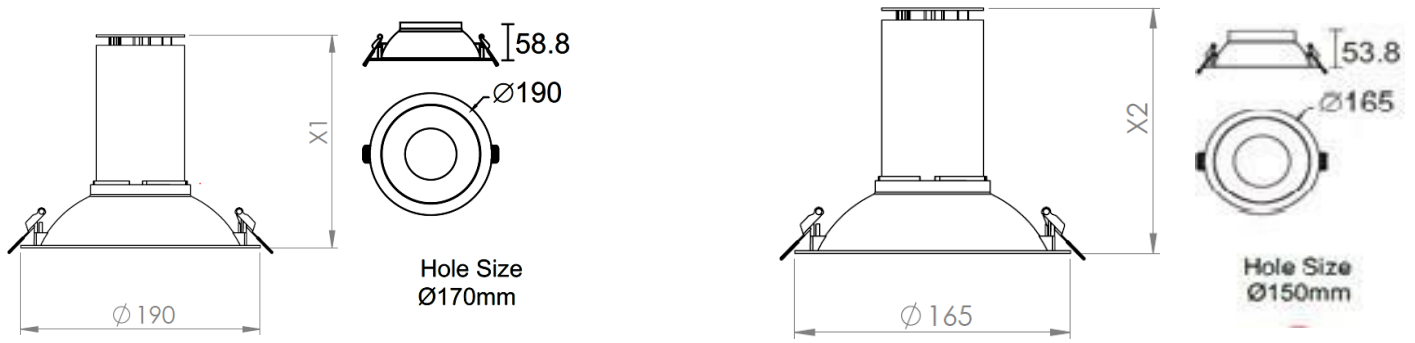
DURBAN

| 031 566 5786
| sales@ledlighting.co.za



JOHANNESBURG

| 011 450 0494
| sales@ledlighting.co.za



DIMENSIONS	NAME	DRAW POWER (W)	CUT OUT DIAMETER (MM)	DIAMETER (MM)	HEIGHT (MM)
	DL M RR	16	150	165	143
	DL M RR	20	150	165	143
	DL M RR	35	150	165	213
	DL M RR	16	170	190	146
	DL M RR	20	170	190	146
	DL M RR	35	170	190	216

General Disclaimer
Content is subject to change. Fluctuations in mains voltage and in LED forward voltage mean that lumen output and power draw may be subject to deviation (+5%) of rated value.

Liability Disclaimer
The contents of this document are for information purposes only and may be subject to change without prior notice. LED Lighting SA can not be held liable for any direct or indirect damages as a result of this information.

Copyright © LED Lighting 2019. All Rights Reserved.



CAPE TOWN

| 021 510 0028
| sales@ledlighting.co.za



DURBAN

| 031 566 5786
| sales@ledlighting.co.za



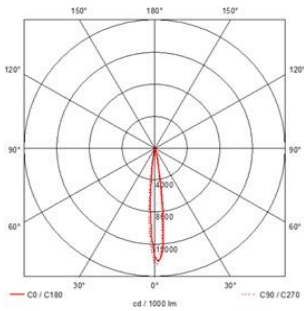
JOHANNESBURG

| 011 450 0494
| sales@ledlighting.co.za

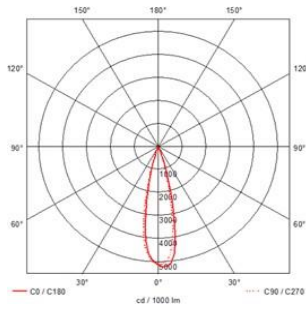
DESCRIPTION	SPECIFICATION
LED chip type	Samsung
LED operating current (mA)	450 - 950mA
LED working life (L80 B10)	50 000hrs @ Ta = 40deg C
Driver type	Tridonic / Vossloh-Schwabe / TCI
Driver input voltage AC(V)	110V - 230V
Driver power factor (pf)	>0.95A
Driver nominal-life	50 000 — 100 000hrs @ Tc = 40deg C
Driver dimming	Non-dim / Dali
Driver Total Harmonic Distortion (THD)	<20%
Driver surge protection (KV)	2KV
Driver compliance	EN 61347-2-13:2006
IP rating	IP20
SABS company certification	10089/15954
Operating temperature range	0° C to + 40° C
Housing material	Die - Cast Aluminium
Product weight including packaging	+/- 1.53kg
Product weight excluding packaging	+/- 1.29kg
Product warranty	5 Years

PHOTOMETRICS

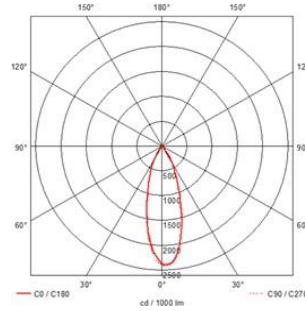
DL MHR M RR



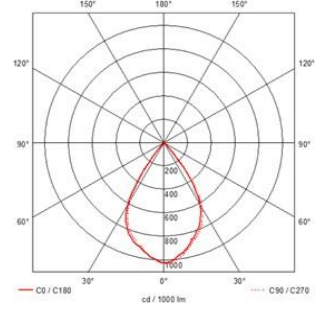
DL M RR 12°



DL M RR 24°



DL M RR 33°



DL M RR 60°

General Disclaimer
Content is subject to change. Fluctuations in mains voltage and in LED forward voltage mean that lumen output and power draw may be subject to deviation (+/-5%) of rated value.

Liability Disclaimer
The contents of this document are for information purposes only and may be subject to change without prior notice. LED Lighting SA can not be held liable for any direct or indirect damages as a result of this information.

Copyright © LED Lighting 2019. All Rights Reserved.

CAPE TOWN
| 021 510 0028
| sales@ledlighting.co.za

DURBAN
| 031 566 5786
| sales@ledlighting.co.za

JOHANNESBURG
| 011 450 0494
| sales@ledlighting.co.za

OPTICAL	NAME	DRAW POWER (W)	LED COLOUR (CCT)	COLOUR RENDERING INDEX (CRI)	LUMINOUS FLUX (LM)	EFFICIENCY (LM/W)	BEAM ANGLE
	DL M RR	16	3000K , 3500K , 4000K , 5000K	80, 90	1440 – 1760	90 - 110	12° /24° / 33° / 60°
	DL M RR	20	3000K , 3500K , 4000K , 5000K	80, 90	1800 - 2200	90 - 110	12° /24° / 33° / 60°
	DL M RR	35	3000K , 3500K , 4000K , 5000K	80, 90	3150 - 3850	90 - 110	12° /24° / 33° / 60°

General Disclaimer

Content is subject to change. Fluctuations in mains voltage and in LED forward voltage mean that lumen output and power draw may be subject to deviation (+5%) of rated value.

Liability Disclaimer

The contents of this document are for information purposes only and may be subject to change without prior notice. LED Lighting SA can not be held liable for any direct or indirect damages as a result of this information.

Copyright © LED Lighting 2019. All Rights Reserved.

**CAPE TOWN**

| 021 510 0028

| sales@ledlighting.co.za

**DURBAN**

| 031 566 5786

| sales@ledlighting.co.za

**JOHANNESBURG**

| 011 450 0494

| sales@ledlighting.co.za