

KEY FEATURES

- | Size option: 145mm (130mm cut out) / 190mm (170mm cut out) / 230mm (210mm cut out)
- | Wattage options: 16W / 20W / 35W
- | Optical control: 12D / 24D / 33D / 60D
- | Housing colour options: White / Black
- | Mounting: Recessed
- | Light colour options (CCT): WW (3000K) / WW (3500K) / NW (4000K) / CW (5000K)
- | LED type: SAMSUNG
- | LED chip efficacy: 120-140 Lumens per watt
- | Fitting efficacy: 90-110 Lumens per watt
- | Driver type options: Tridonic / Vossloh-Schwabe
- | Dimming options: Non-dim / DALI
- | Warranty: 5 Years

APPLICATIONS

- | Shop and Retail
- | Health and Care
- | Architectural
- | Office
- | Education
- | Hotel & Wellness

COMPANY CERTIFICATIONS & FIXTURE RATINGS



IP20

5Year
WARRANTY

General Disclaimer
Content is subject to change. Fluctuations in mains voltage and in LED forward voltage mean that lumen output and power draw may be subject to deviation (+/-5%) of rated value.

Liability Disclaimer
The contents of this document are for information purposes only and may be subject to change without prior notice. LED Lighting SA can not be held liable for any direct or indirect damages as a result of this information.
Copyright © LED Lighting 2019. All Rights Reserved.



CAPE TOWN

| 021 510 0028
| sales@ledlighting.co.za



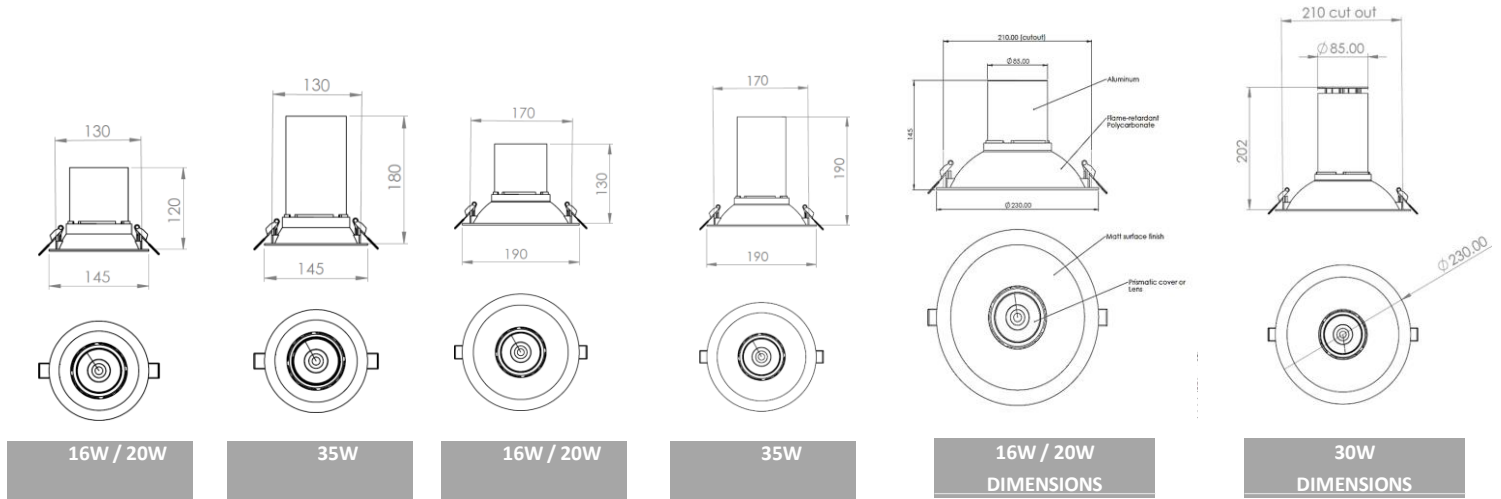
DURBAN

| 031 566 5786
| sales@ledlighting.co.za



JOHANNESBURG

| 011 450 0494
| sales@ledlighting.co.za



DIMENSIONS	NAME	VOLTS (V)	DRAW POWER (W)	CUT OUT (mm)	DIAMETER (mm)	HEIGHT (mm)
	DL_M 145 16W	220VAC	16W	130	145	120
	DL_M 145 20W	220VAC	20W	130	145	120
	DL_M 145 35W	220VAC	35W	130	145	180
	DL_M 145 16W	220VAC	16W	170	190	130
	DL_M 145 20W	220VAC	20W	170	190	130
	DL_M 145 35W	220VAC	35W	170	190	190
	DL_M 145 16W	220VAC	16W	210	230	145
	DL_M 145 20W	220VAC	20W	210	230	145
	DL_M 145 35W	220VAC	35W	210	230	202

General Disclaimer
Content is subject to change. Fluctuations in mains voltage and in LED forward voltage mean that lumen output and power draw may be subject to deviation (+/-5%) of rated value.

Liability Disclaimer
The contents of this document are for information purposes only and may be subject to change without prior notice. LED Lighting SA can not be held liable for any direct or indirect damages as a result of this information.
Copyright © LED Lighting 2019. All Rights Reserved.

CAPE TOWN
| 021 510 0028
| sales@ledlighting.co.za

DURBAN
| 031 566 5786
| sales@ledlighting.co.za

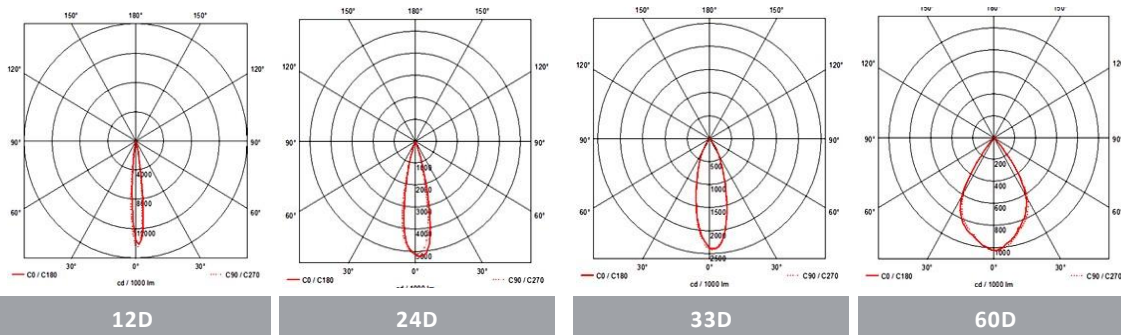
JOHANNESBURG
| 011 450 0494
| sales@ledlighting.co.za

GENERAL SPECIFICATIONS

DESCRIPTION	SPECIFICATION
LED chip type	SAMSUNG
LED operating current (mA)	650-850mA
LED working life (L80B10)	50 000hrs @ Ta = 40deg C
Driver manufacturer name	Tridonic / VS
Driver input voltage AC(V)	220V - 240V
Driver power factor (pf)	>0.95λ
Driver manufacture's nominal-life	50 000 - 100 000hrs @ Ta = 40 deg C
Driver dimming type	Non-Dim / DALI
Driver emergency power option	10% for 2.5h optional
Driver Total Harmonic Distortion (THD)	<20%
Driver surge protection (kV)	2kV
IP rating	IP20
SABS company certification	10089/15954
Operating temperature range	'0° C to + 40° C
Housing material	Polycarbonate / Aluminium
Product weight including packaging	1.05kg
Product weight excluding packaging	0.82kg
Product warranty	5 Years

PHOTOMETRICS

DL M



NAME	DRAW POWER (W)	LED COLOUR (CCT)	COLOUR RENDING INDEX (CRI)	LUMINOUS FLUX (lm)	EFFICIENCY (lm/W)	DIFFUSER / LENS / REFLECTOR
DL_M 145 20W	20W	3000K / 3500K / 4000K / 5000K	80 / 90	1800 - 2200	90 - 110lm/w	12 / 24 / 33 / 60
DL_M 145 35W	35W	3000K / 3500K / 4000K / 5000K	80 / 90	3150 - 3850	90 - 110lm/w	12 / 24 / 33 / 60

General Disclaimer
Content is subject to change. Fluctuations in mains voltage and in LED forward voltage mean that lumen output and power draw may be subject to deviation (+/-5%) of rated value.

Liability Disclaimer
The contents of this document are for information purposes only and may be subject to change without prior notice. LED Lighting SA can not be held liable for any direct or indirect damages as a result of this information.

Copyright © LED Lighting 2019. All Rights Reserved.

CAPE TOWN
| 021 510 0028
| sales@ledlighting.co.za

DURBAN
| 031 566 5786
| sales@ledlighting.co.za

JOHANNESBURG
| 011 450 0494
| sales@ledlighting.co.za