

# Balule

## INSTALLATION MANUAL



**IP65**



### Class I

- The luminaires are electrically insulated and provided with a connection to earth.
- Earthing protects exposed metal parts that could become live in the event of basic insulation failure.

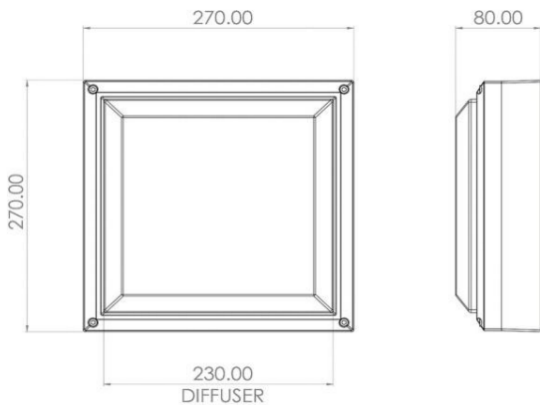
### Installation Requirements

- This light fixture must be supplied with 220-230V, 50Hz AC power.
- Connect to an individual branch circuit.
- LLSA ensures a 2 kV surge protection on our PSU, anything out of this range will void warranty provided.
- Improper installation might cause an electric shock accident.
- Use an authorized electrical professionals to do the installation, repair and maintenance of the light fixture.
- Cut off the power before and during installation, maintenance and repair of the light fixture.
- Do not install the light fixture on top of or near hot objects to avoid damage. (For example hot gas pipes, exhaust funnels or stoves).
- Make sure no fire regulations are violated.
- Do not look directly at the light fixture for a long period of time to avoid eye damage.
- The use of third party equipment is not recommended by the manufacturer for it may lead to warranty void.
- Do not cover the lamp with heat insulating gasket or similar material.

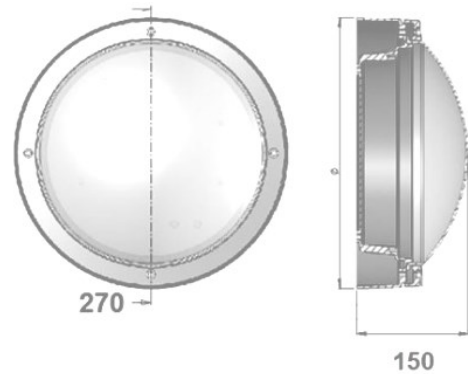
### Cleaning and Maintenance of Enclosure

- Do not use solvent-based cleaning agents, this will cause cracks to form in the plastic diffuser covers.
- Clean with a damp cloth and silicone-based cleaning agent. (Such as Mr Min)

## Product Dimensions



**BALULE SQ**



**BALULE R**

## Installation

### SPECIFICATIONS:

- Fitting: Aluminum or Polycarbonate body with Polycarbonate cover
- Lamp types: LED
- Protection against electric shock: CLASS I. Requires earth connection.
- Ingress Protection: IP65.
- Driver: Internal driver included.
- Suitable for indoor and outdoor commercial use.
- Ambient temperature range: 0C to +40 deg C

### INSTALLATION INSTRUCTIONS:

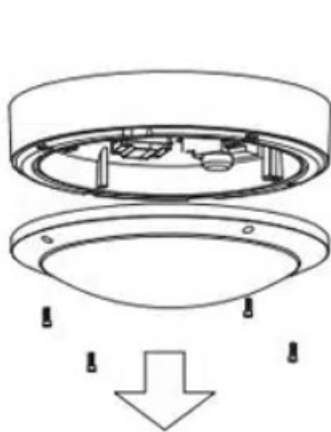
Electrical products can cause death, injury or damage to property. Check clearances around fittings.

Installation of this product must be carried out by a qualified electrician, in accordance with SANS 10142.

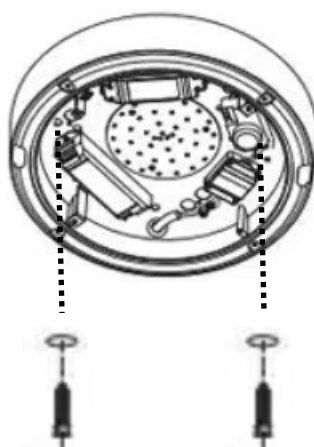
On completion of installation, ensure that the Certificate of Compliance is updated.

### CAUTION: Risk of electric shock

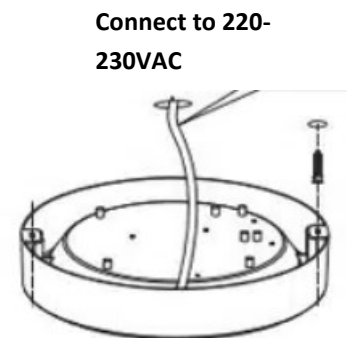
PLEASE NOTE: The light source contained on this luminaire shall only be replaced by the manufacturer, the service agent or a similar qualified person.



**Remove front cover**



**Drill holes for  
mounting & install  
fixtures**



**Connect to 220-  
230VAC**