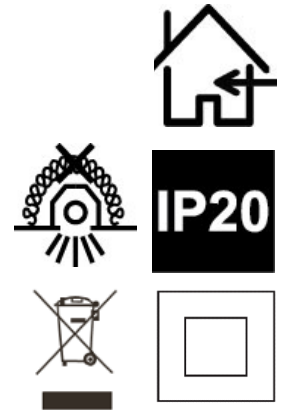


# Etosha

## INSTALLATION MANUAL



## Class II

- The protection against electric shock does not rely on basic insulation only and has supplementary insulation.
- This is achieved by means of reinforced or double insulation.
- No provision for earthing is provided.

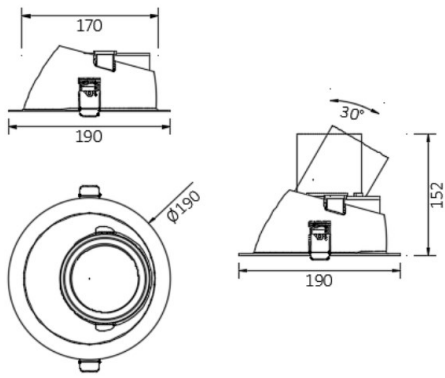
## Installation Requirements

- Parts of the luminaire exposed to high voltage are protected through double insulation.
- Any exposed metal parts are exposed to SELV voltages.
- Connect to an individual branch circuit.
- LLSA ensures a 2 kV surge protection on our PSU, anything out of this range will void warranty provided.
- Improper installation might cause an electric shock accident.
- Use an authorized electrical professionals to do the installation, repair and maintenance of the light fixture.
- Cut off the power before and during installation, maintenance and repair of the light fixture.
- Do not install the light fixture on top of or near hot objects to avoid damage. (For example hot gas pipes, exhaust funnels or stoves)
- Do not install the light fixture in a damp area or where liquid leakage is potential.
- Make sure no fire regulations are violated.
- Do not look directly at the light fixture for a long period of time to avoid eye damage.
- The use of third party equipment is not recommended by the manufacturer for it may lead to warranty void.
- Do not cover the lamp with heat insulating gasket or similar material.

## Cleaning and Maintenance of Enclosure

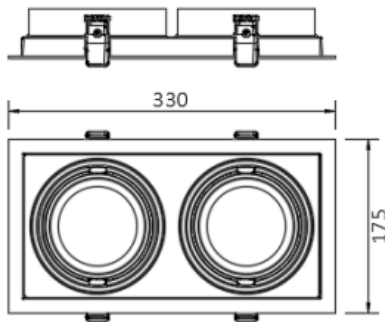
- Do not use solvent-based cleaning agents, this will cause cracks to form in the plastic diffuser covers.
- Clean with a damp cloth and silicone-based cleaning agent. (Such as Mr Min)

# Product Dimensions

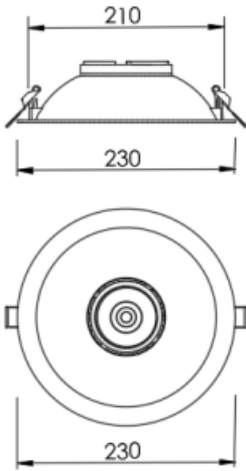
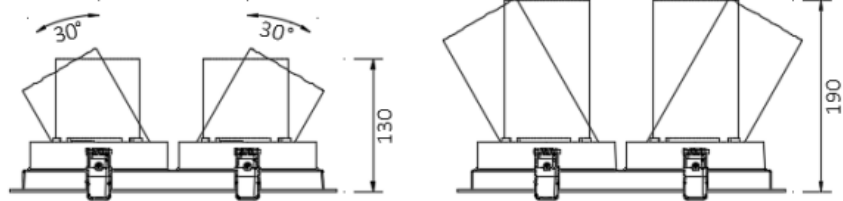


**ETOSHA W 170**

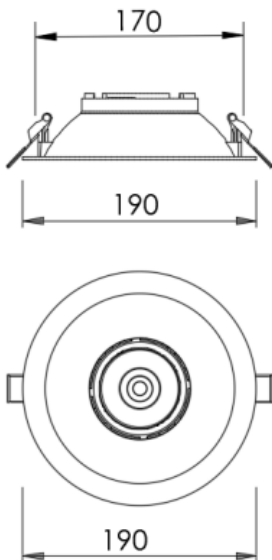
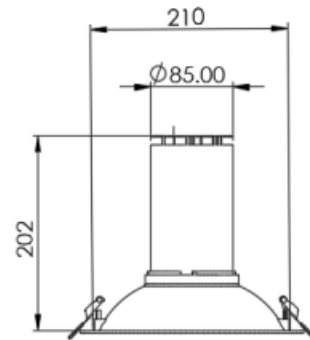
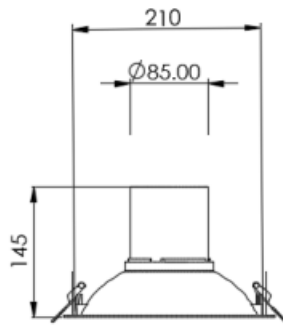
NAME	CUT OUT SIZE ( mm )	WEIGHT ( kg )
ETOSHA W 170	170mm	1.63kg
ETOSHA 315x160	315 x 160mm	2.88kg
ETOSHA 160x160	160 x 160mm	1.57kg
ETOSHA 210	210mm	1.33kg
ETOSHA 170	170mm	1.33kg
ETOSHA 150	150mm	1.33kg
ETOSHA 130	130mm	1.33kg



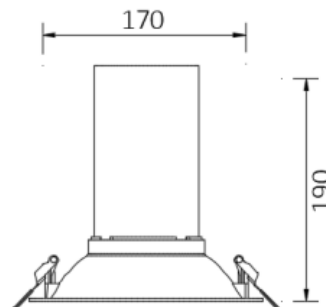
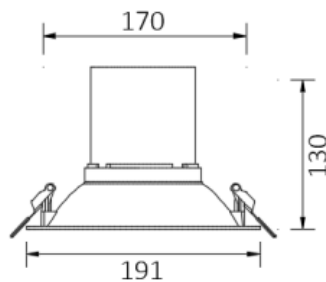
**ETOSHA 315x160**



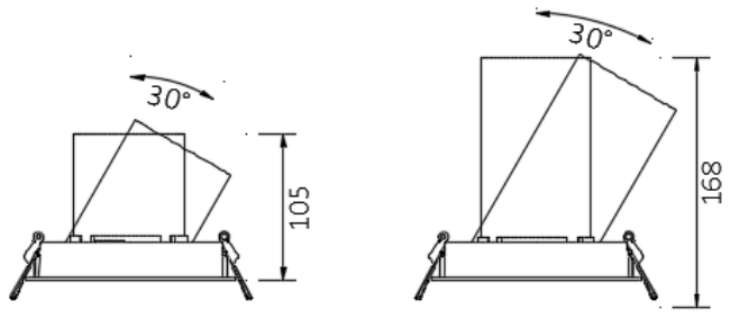
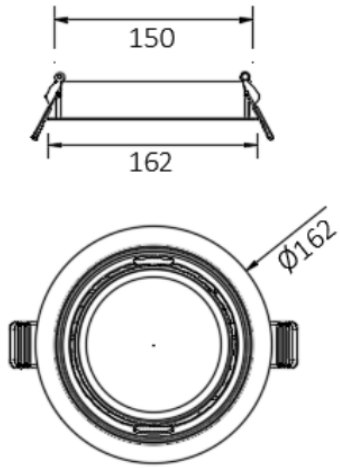
**ETOSHA 210**



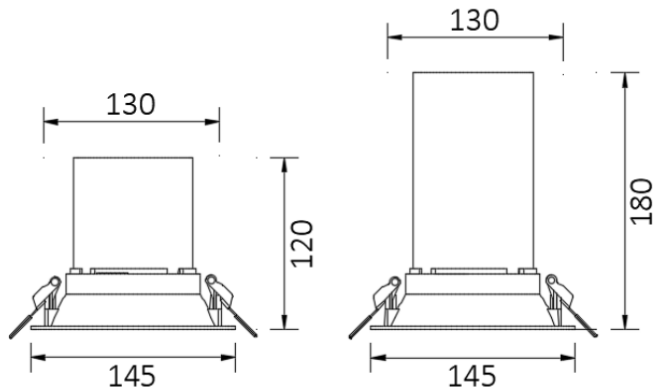
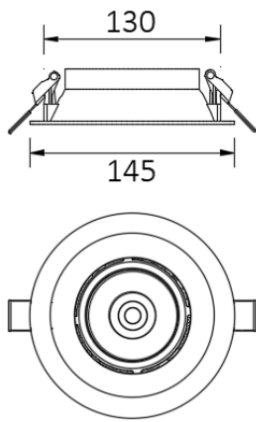
**ETOSHA 170**



# Product Dimensions



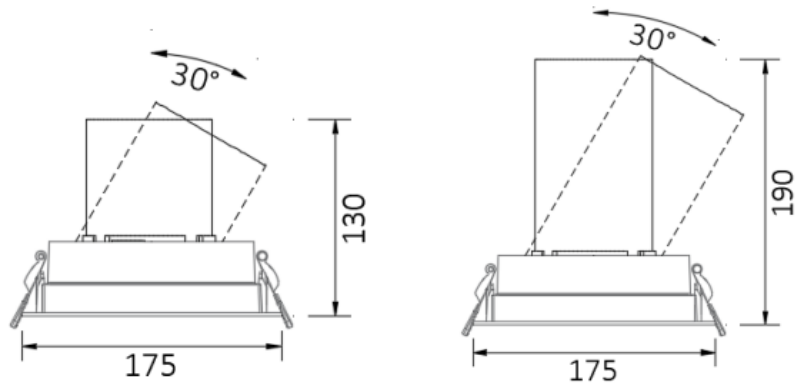
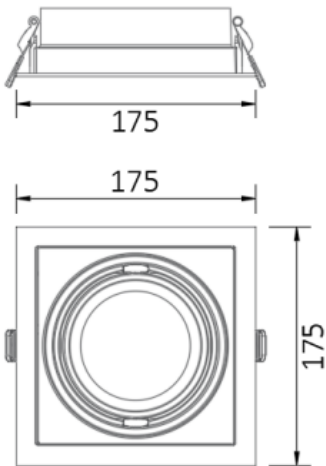
**ETOSHA 150**



16W & 30W

35W

**ETOSHA 130**



**ETOSHA 160x160**

# Installation

## SPECIFICATIONS:

- Fitting: Aluminum body with Polycarbonate parts
- Lamp types: LED
- Protection against electric shock: CLASS II. Does not requires earth connection.
- Ingress Protection: IP20.
- Driver: External driver included.
- Suitable for indoor commercial use.
- Ambient temperature range: -20oC to +30 deg C

## INSTALLATION INSTRUCTIONS:

Electrical products can cause death, injury or damage to property. Check clearances around fittings.

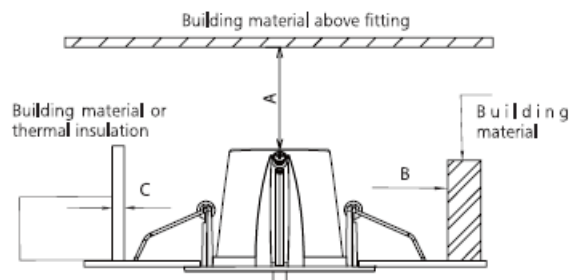
Installation of this product must be carried out by a qualified electrician, in accordance with SANS 10142.

On completion of installation, ensure that the Certificate of Compliance is updated.

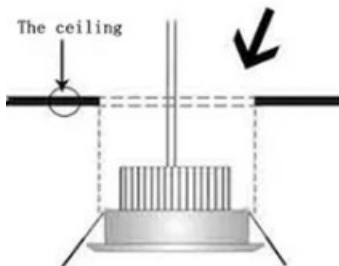
### CAUTION: Risk of electric shock

PLEASE NOTE: The light source contained on this luminaire shall only be replaced by the manufacturer, the service agent or a similar qualified person.

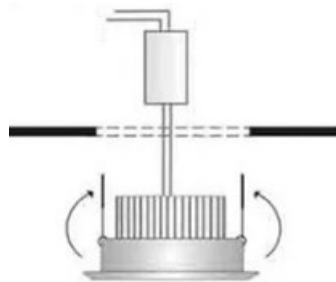
Install requirements	
A-gap above the fitting	25mm
B-gap to the building material	25mm
C-gap to the thermal insulation	25mm



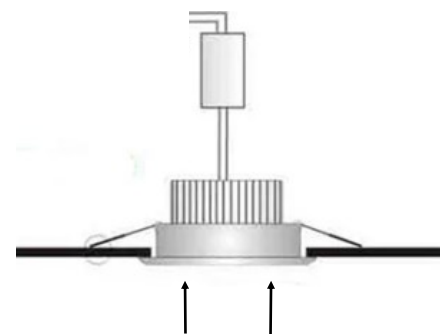
Cut ceiling hole for required fitting size



Connect AC power to driver



Bend springs upwards



While holding springs -

Insert fitting into position