

PRODUCT SPECIFICATIONS SHEET

CATEGORY | FOOD DISPLAY LUMINAIRES



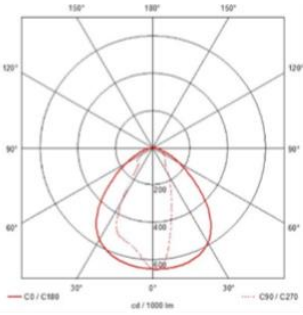
KEY FEATURES

- **Power level up to 20W/m.**
- **Luminaire efficacy:** Up to 95lm/W.
- **Heatsink:** Aluminium.
- **Mounting:** Surface mounted.
- **Luminaire colour options:** Anodised Aluminium
- **LED lifetime (L80B10):** >75 000 hrs.

PHOTOMETRICS

NAME	DRAW POWER (W)	LED COLOUR (CCT)	COLOUR RENDERING INDEX (CRI)	LUMINOUS FLUX (LM)	LUMINAIRE EFFICACY (LM/W)	BEAM ANGLE
FOYA - 250mm	2.5 / 3.75 / 5	3000K, 3500K, 4000K ,5700K, MEAT	90	237 - 475	95	120°
FOYA - 530mm	5.3 / 7.9 / 10.6	3000K, 3500K, 4000K ,5700K, MEAT	90	503 - 1007	95	120°
FOYA - 550mm	5.5 / 8.2 / 11	3000K, 3500K, 4000K ,5700K, MEAT	90	522 - 1045	95	120°
FOYA - 660mm	6.6 / 9.9 / 13.2	3000K, 3500K, 4000K ,5700K, MEAT	90	627 - 1254	95	120°
FOYA - 708mm	7 / 10.6 / 14.1	3000K, 3500K, 4000K ,5700K, MEAT	90	672 - 1345	95	120°
FOYA - 746mm	7.4 / 11.1 / 14.9	3000K, 3500K, 4000K ,5700K, MEAT	90	708 - 1417	95	120°
FOYA - 830mm	8.3 / 12.4 / 16.6	3000K, 3500K, 4000K ,5700K, MEAT	90	788 - 1577	95	120°
FOYA - 876mm	8.7 / 13.1 / 17.5	3000K, 3500K, 4000K ,5700K, MEAT	90	832 - 1664	95	120°
FOYA - 1014mm	10.1 / 15.2 / 20.2	3000K, 3500K, 4000K ,5700K, MEAT	90	963 - 1926	95	120°
FOYA - 1100mm	11 / 16.5 / 22	3000K, 3500K, 4000K ,5700K, MEAT	90	1045 - 2090	95	120°
FOYA - 1160mm	11.6 / 17.4 / 23.2	3000K, 3500K, 4000K ,5700K, MEAT	90	1102 - 2204	95	120°
FOYA - 1176mm	11.7 / 17.6 / 23.5	3000K, 3500K, 4000K ,5700K, MEAT	90	1117 - 2234	95	120°
FOYA - 1262mm	12.6 / 18.9 / 25.2	3000K, 3500K, 4000K ,5700K, MEAT	90	1198 - 2397	95	120°
FOYA - 1476mm	14.7 / 22.1 / 29.5	3000K, 3500K, 4000K ,5700K, MEAT	90	1402 - 2804	95	120°
FOYA - 1664mm	16.6 / 24.9 / 33.2	3000K, 3500K, 4000K ,5700K, MEAT	90	1580 - 3161	95	120°
FOYA - 1750mm	17.5 / 26.2 / 35	3000K, 3500K, 4000K ,5700K, MEAT	90	1662 - 3325	95	120°
FOYA - 1800mm	18 / 27 / 36	3000K, 3500K, 4000K ,5700K, MEAT	90	1710 - 3420	95	120°

LUMINAIRE DATA



FOYA - ASYMETRIC

FIXTURE FEATURES AND WARRANTY

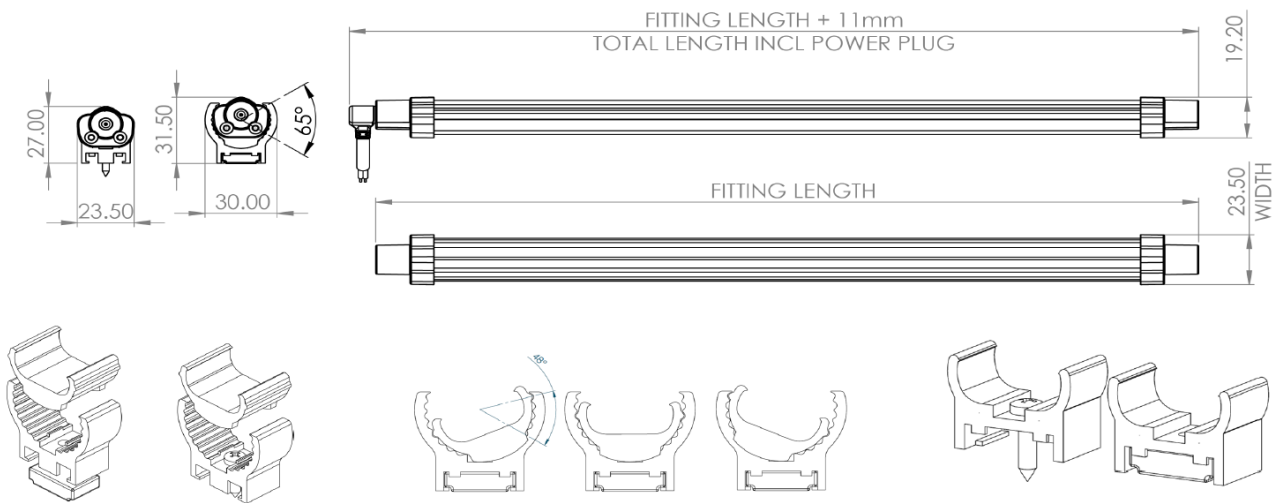


IP20



5Year
WARRANTY

PRODUCT DRAWING DIMENSIONS



PRODUCT DRAWING DIMENSIONS

GENERAL SPECIFICATIONS	DESCRIPTION	SPECIFICATION
	LED operating voltage	24V
	LED working life (L80B10)	>75 000hrs @ Ta = 25 deg C
	IP rating	IP20
	SABS company certification	10089/15954
	Operating temperature range	0°C to +30°C
	Housing material	Aluminium/ Polycarbonate
	Product warranty	5 Years
	Product weight excluding packaging	+/- 0.23kg/m
	Product weight including packaging	+/- 0.30kg/m



Front view



Side view



Top view

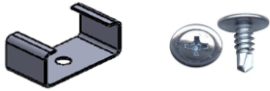


Perspective view

ACCESSORIES



Accent mounting clip V11, opaque plastic with accent mounting o-ring, Clear PVC and pan head self taper



Luminis V2 surface bracket, metal with galvanized self drilling truss head



Terry / tool clip, 16mm stainless with pan head self taper



DC plug - black / white - 3.5m lead - 90°

General Disclaimer

Content is subject to change. Fluctuations in mains voltage and in LED forward voltage mean that lumen output and power draw may be subject to deviation (+-5%) of rated value.

Liability Disclaimer

The contents of this document are for information purposes only and may be subject to change without prior notice. LED Lighting SA can not be held liable for any direct or indirect damages as a result of this information.

Copyright © LED Lighting 2019. All Rights Reserved.

CAPE TOWN
Head office

| 021 510 0028
| sales@ledlighting.co.za
| 1st Floor Hillwood House
25 Paarden Eiland Road
Paarden Eiland, 7405

JOHANNESBURG
Regional Branch

| 021 510 0028
| sales@ledlighting.co.za
| Office Unit 1 Pendoring Office Park,
299 Pendoring Rd, Blackheath,
Randburg, 2195

DURBAN
Regional Branch

021 510 0028
sales@ledlighting.co.za