

**basicDIM DGC Sensor 5DPI 14rc**

Compact control module with 2 momentary-action switches input and 1 relais output



basicDIM ILD G2 SRC 20 5DPI WH

**Product description**

- \_ Light measurement and motion detection
- \_ Up to 4 basicDIM DGC sensors on one basicDIM DGC (only relevant for basicDIM DGC)
- \_ Can be remote controlled
- \_ Light measurement and motion detection can be deactivated
- \_ Individual adjustment of the parameters with basicDIM DGC Programmer or software masterCONFIGURATOR (only relevant for basicDIM DGC)
- \_ Power supply via basicDIM DGC (only relevant for basicDIM DGC)

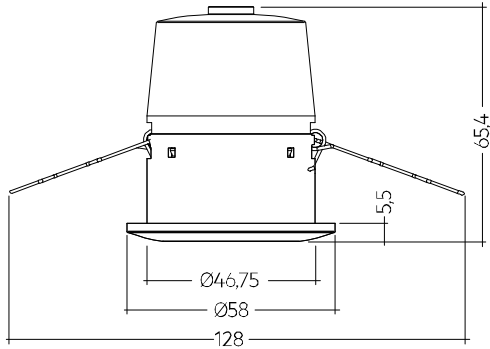
**Website**

<http://www.tridonic.com/28000934>



**basicDIM DGC Sensor 5DPI 14rc**

Compact control module with 2 momentary-action switches input and 1 relais output



**Ordering data**

Type	Article number	Dimensions L x W x H	Packaging, carton	Weight per pc.
basicDIM DGC Sensor 5DPI 14rc Ceiling installation	28000934	128 x 58 x 65.4 mm	63 pc(s).	0.06 kg

**Technical data**

Sensor type	PIR sensor
Ø of detection range, mounted at a height of 2.5 m	4.5 m
Swivel design	No
Detection angle	84°
Light measurement at the sensor head <sup>①</sup>	10 – 650 lx
Infra-red control range	5 m
Max. mounting height	5 m
Operating temperature	0 ... +50 °C
Storage temperature ts	-25 ... +55 °C
Type of protection	IP20

<sup>①</sup> The measured value at the sensor head corresponds to approx. 15 to 2,000 lux on the surface measured.